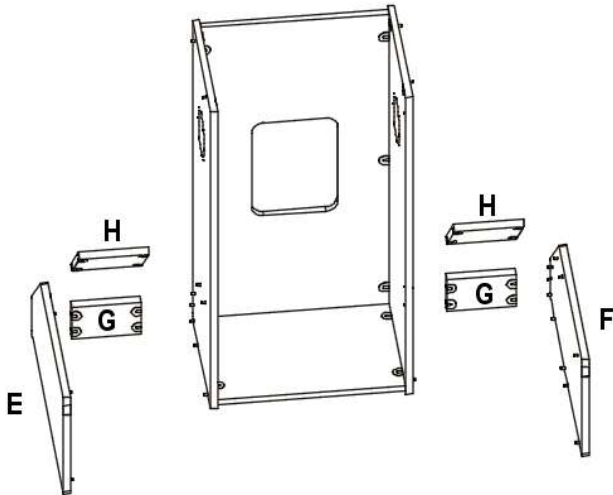


## Step 1

Install Black Cams into all cam holes. Pins will be inserted on both sides of the vertical side panels.

**IMPORTANT:** Pins to be inserted into the pin holes that go all the way through the panel are to be done on **ONLY** on the side that does not have pin holes that are 1/2 " deep.

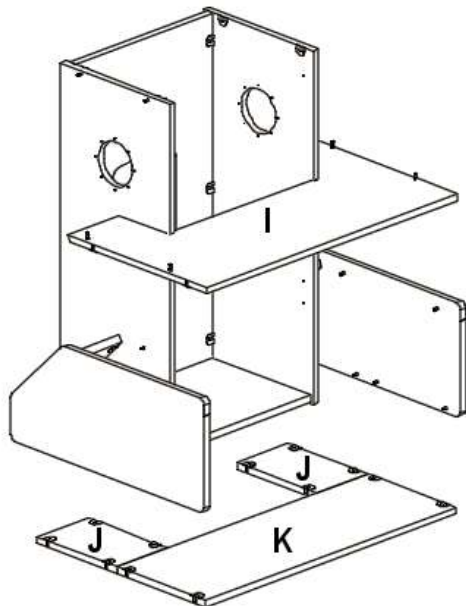
First Assemble the side panels A and B to the front coin door panel C. Then attach the bottom panel D as shown.



## Step 2

Install black cams into panels H and G. Install pins into panels E and F.

Attach Panels E and F to the Main assembly by First installing Panels G, then Panels H as shown.



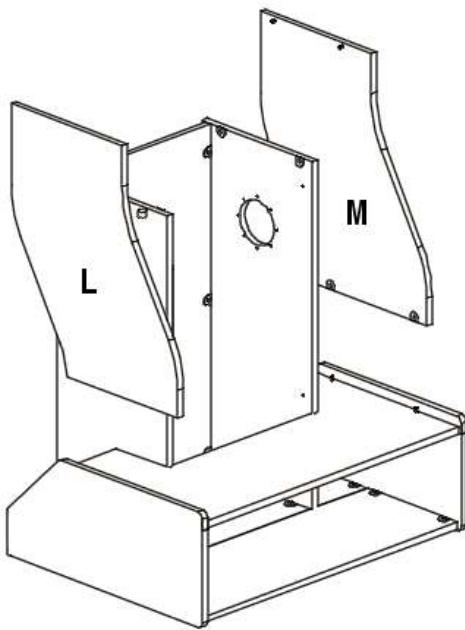
## Step 3

Insert black cams into Panels I, J and K.

Insert pins into the top side of Panel I (opposite side of the cams)

Install panel I as shown.

Install panels J and K as shown.

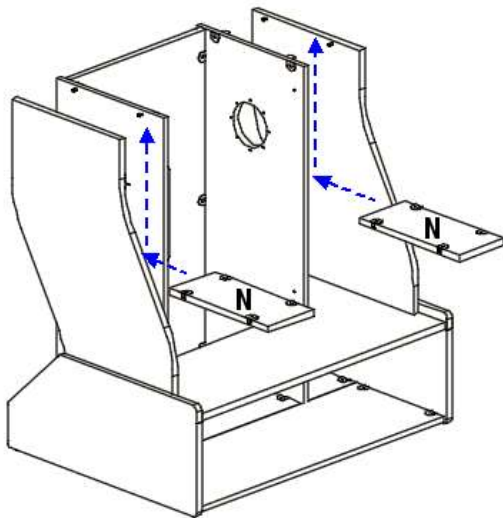


## Step 4

Insert Black cams into panels L and M.

**IMPORTANT:** Using a razor blade, cut away the tabs inside the cam opening.

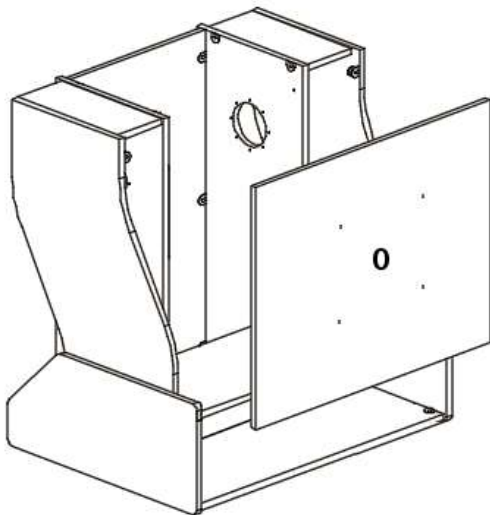
Install panels L and M to the assembly as shown.



## Step 5

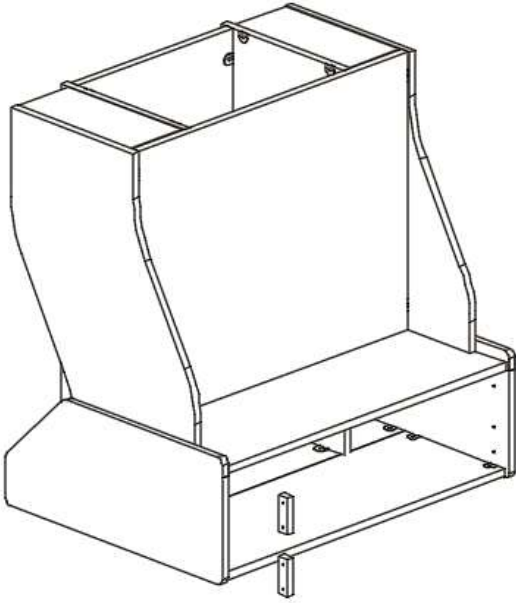
Install black cams into panels N.

Attach Panels N to the assembly. **NOTE:** Panels will need to be inserted between the side panels and moved upwards into position as shown.



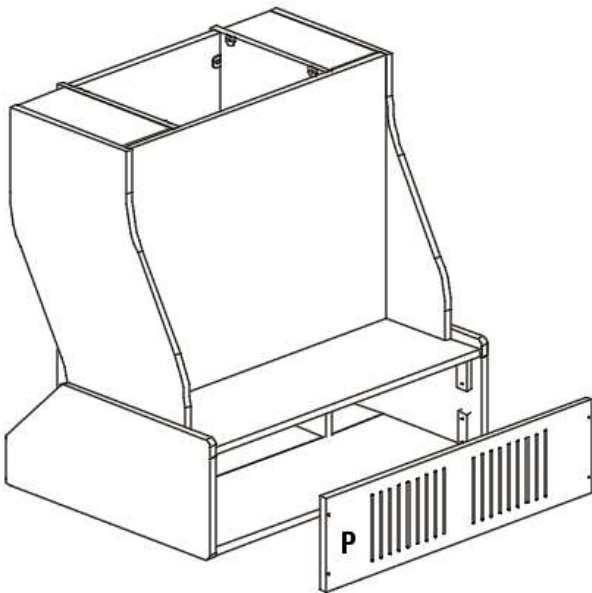
## Step 6

Attach panel O to the assembly using 1-1/8" Black washer head screws.



## Step 7

Attach rectangular blocks to assembly using 1-1/8" Black Washer head screws.



## Step 8

Attach panel P to the assembly using 1-1/8" Black Washer head screws.

NOTE: This is done after installing internal components.

# PEDASTAL SYSTEM

