

**LEGAL DISCLAIMER:**

MameRoom Designs LLC ® will not be held liable for any incidental or consequential damages for breach of any expressed or implied warranty of the Ultimate Arcade cabinet, nor an incidental or consequential damages from the inability to use, or ability to use the cabinet. Under no circumstance shall MameRoom Designs LLC ®, liability exceed the purchase price of the product as sold by MameRoom Designs LLC ®. MameRoom Designs LLC ® reserves the right to refuse to honor this warranty if any of above exceptions caused the product design and/or structural integrity to fail.

**COPYRIGHT:**

The Ultimate Arcade and all logos are trademark of MameRoom Designs LLC ®. All rights reserved. All U.S. and International patent and trademark infringement/misuse will be prosecuted to the fullest extend of the law. This includes violations of infringements of design, manufacturing, concept or utility patents currently covered or pending patents to be issued. Any and all trademarks, representations, and copyrights are trademark of their respective owners.

**WARRANTY:**

MameRoom Designs LLC ® warrants the Ultimate Arcade cabinet against defect in workmanship and materials as herein:

For a period of 30 days from the original date of purchase, if MameRoom Designs LLC ® determines that the product is defective subject to the limitations of this warranty, it will be replaced at no charge for labor and/or materials. MameRoom Designs LLC ® warrants any replacement parts against defects in materials or workmanship for the remainder of the original warranty period.

**WARRANTY SERVICE**  
[sales@mameroom.com](mailto:sales@mameroom.com)

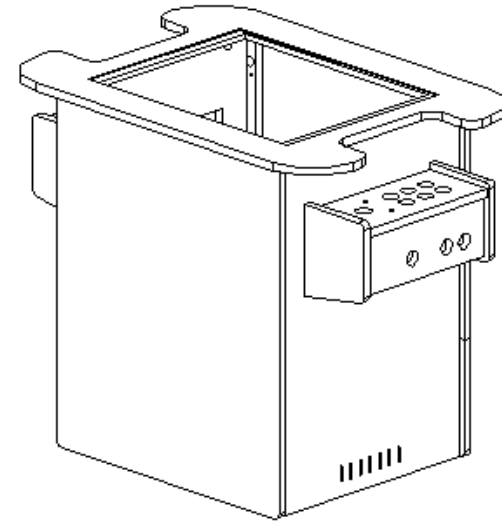
---

# ASSEMBLY INSTRUCTIONS

---

**ULTIMATE COCKTAIL**

- Model #: UACOCKTAILKIT



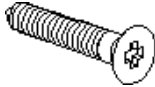
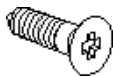



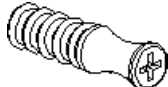


- Remove monitor and PC equipment before moving assembled unit
- Assembly of cabinet in or near final destination is recommended
- Measure all doorways and stairways leading to final destination before assembly

---

For technical support or general assembly questions, please contact:  
[sales@mameroom.com](mailto:sales@mameroom.com)

## HARDWARE INCLUDED

(Contact [sales@mameroom.com](mailto:sales@mameroom.com) for replacement hardware)

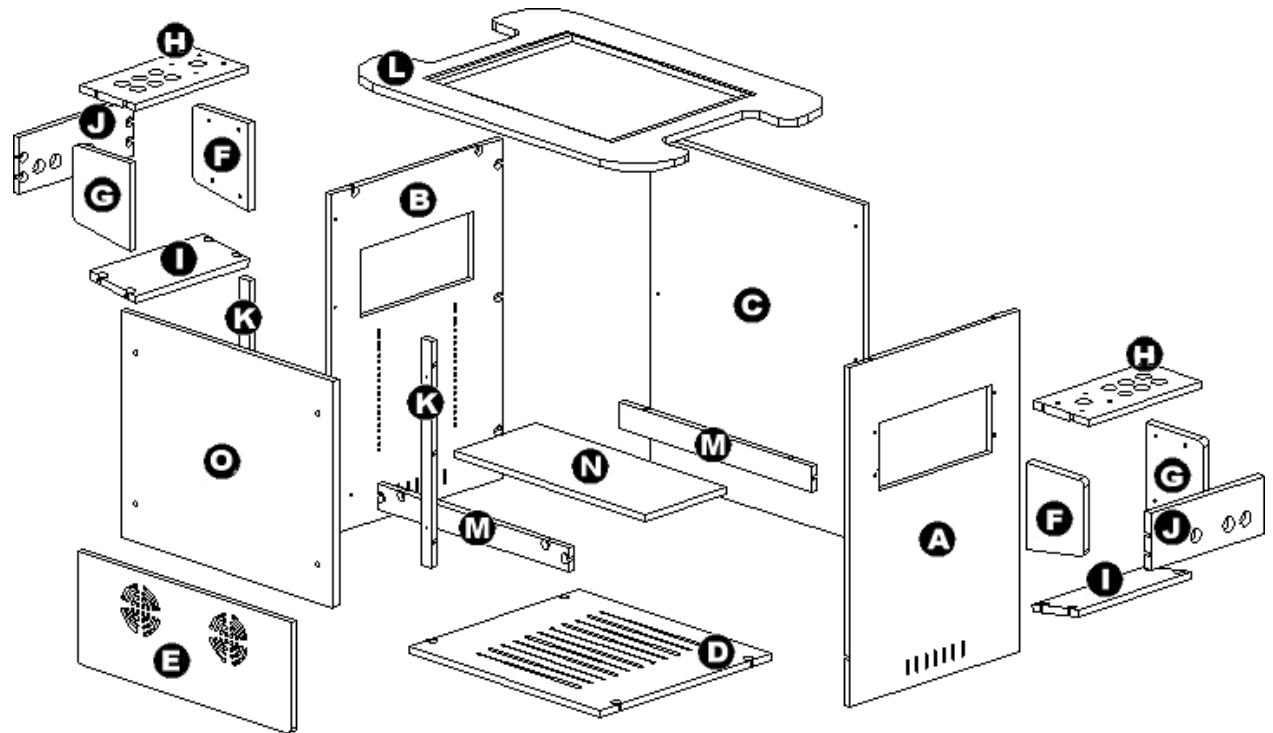
S1		4	#8 x 1" long flat head wood screw
S2		4	#6 x 1/2" long flat head wood screw
H1		4	10mm hole cap (black)
C1		48	Drop-on assembly cam (Black)
C2		16	Side-entry assembly cam (White)
P1		64	5mm Eurothread pin
T1		30 Ft	3/4" Black t-molding
B1		2	Flat bracket

## WHAT YOU WILL NEED

(Do not use power equipment)



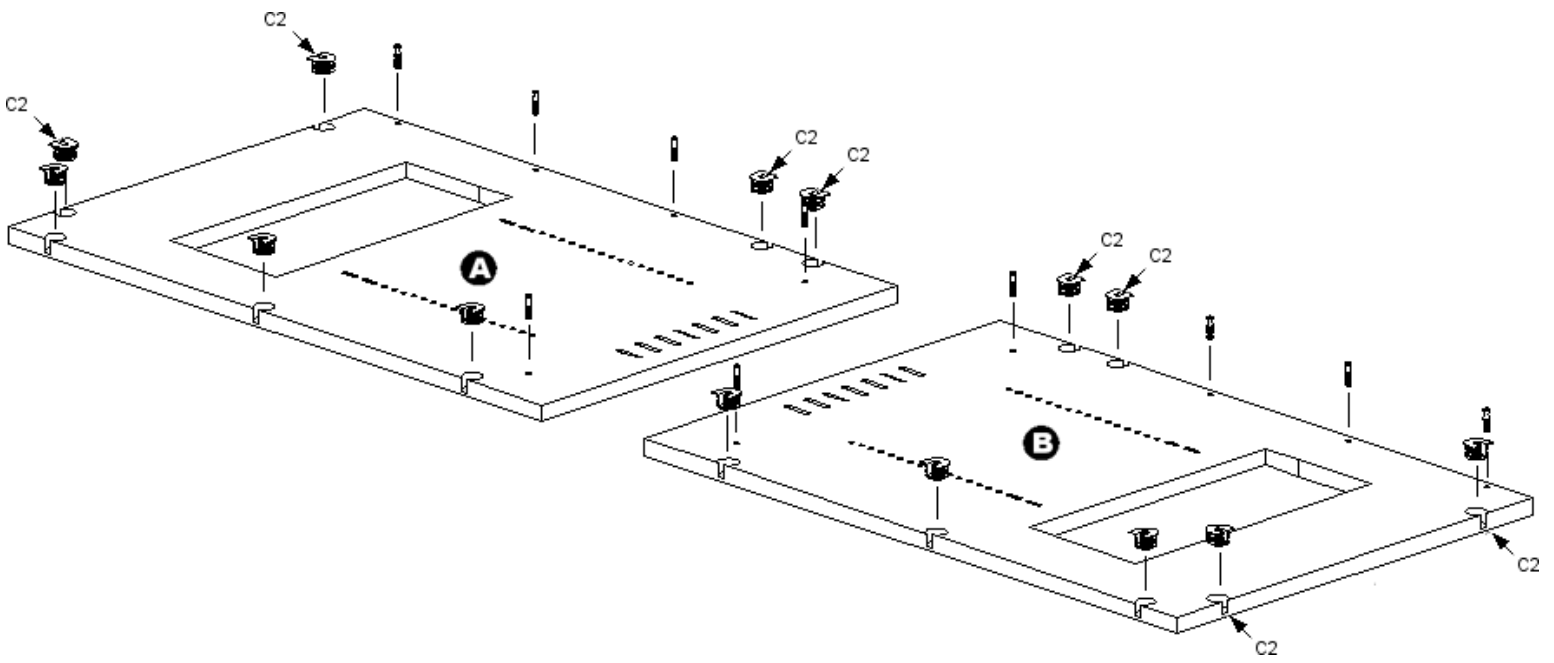
## PARTS INCLUDED (Letters are placed on each panel for easy identification)



STEP 1

**ASSEMBLY INSTRUCTIONS:**

Insert 4 *Side entry* cams (Part C2) and 3 *Top entry* cams (Part C1) into panel A. Position the flat edge of the cam so it will be flush with the edge of the panel. Use a hammer to gently tap each cam into place. Using a screwdriver, drive 5 threaded pins (Part P1) into panel A. Repeat this step for Panel B.

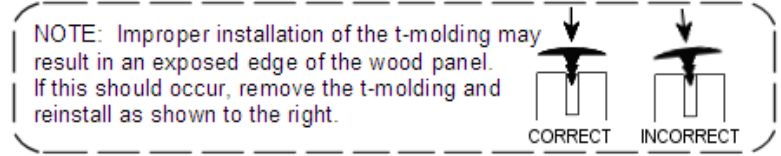
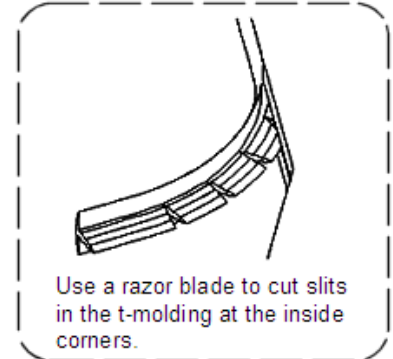
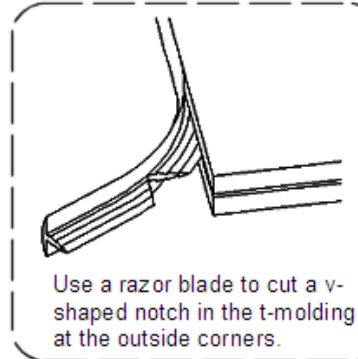
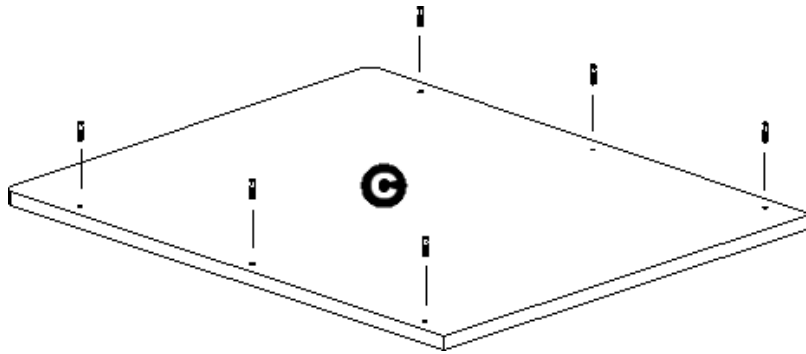


STEP 2

ASSEMBLY INSTRUCTIONS:

Install t-molding on panel C in the pre-cut slots using the methods illustrated to the right. Use a rubber mallet (or hammer) to gently tap the t-molding into the pre-cut grooves in the panels. Use a razor blade to trim off any excess t-molding so the edge of the t-molding is flush with the panel.

Insert 6 threaded pins (Part P1) into panel C.

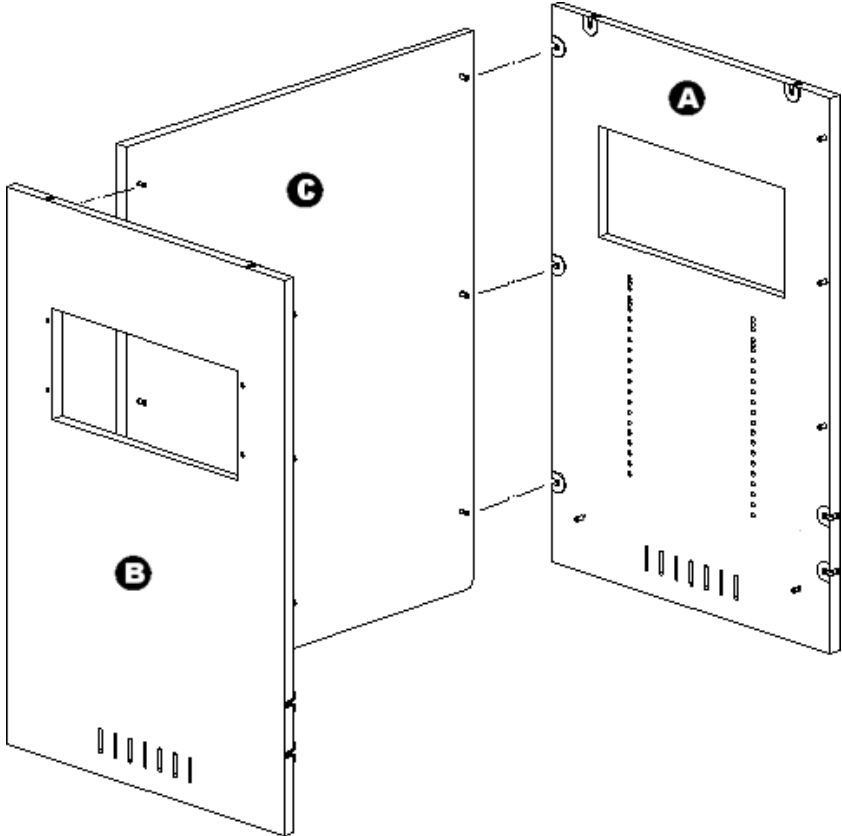
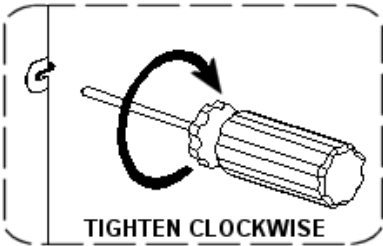


STEP 3

**ASSEMBLY INSTRUCTIONS:**

Attach panel C to panels A and B as show in the diagram below. Use a screwdriver and fully tighten each of the engaging cams.

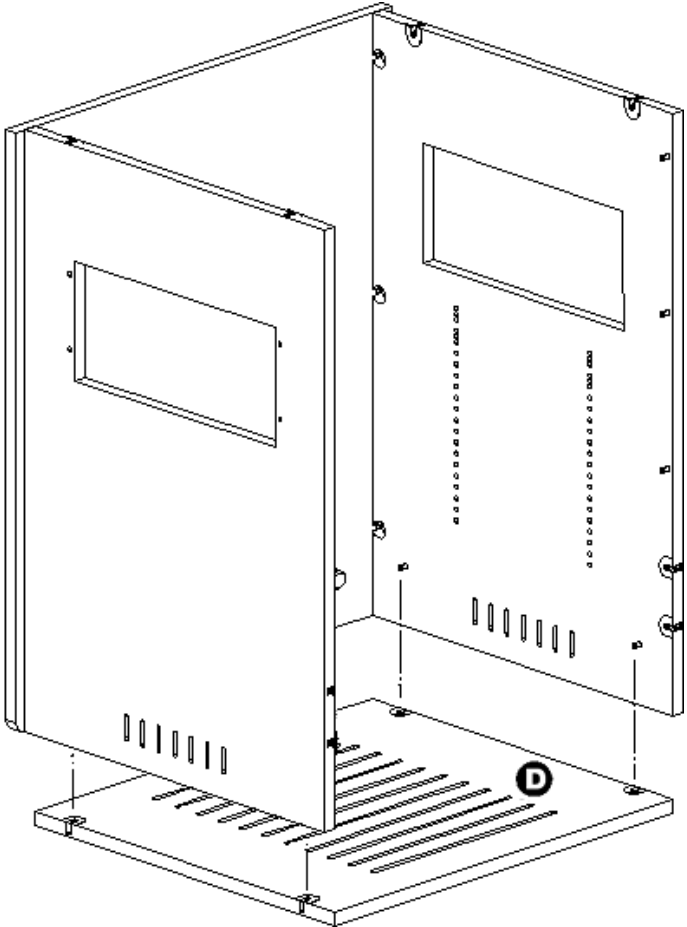
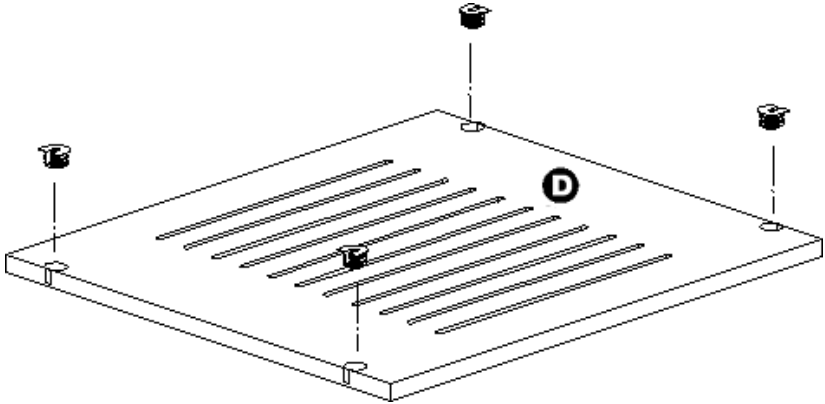
NOTE: The rounded corners of panel C are towards the bottom of the cabinet.



STEP 4

**ASSEMBLY INSTRUCTIONS:**

Insert 4 Camfix cams (Part C1) into panel D. Attach panel D to panels A and B as show in the diagram below. Use a screwdriver and fully tighten each of the engaging cams.



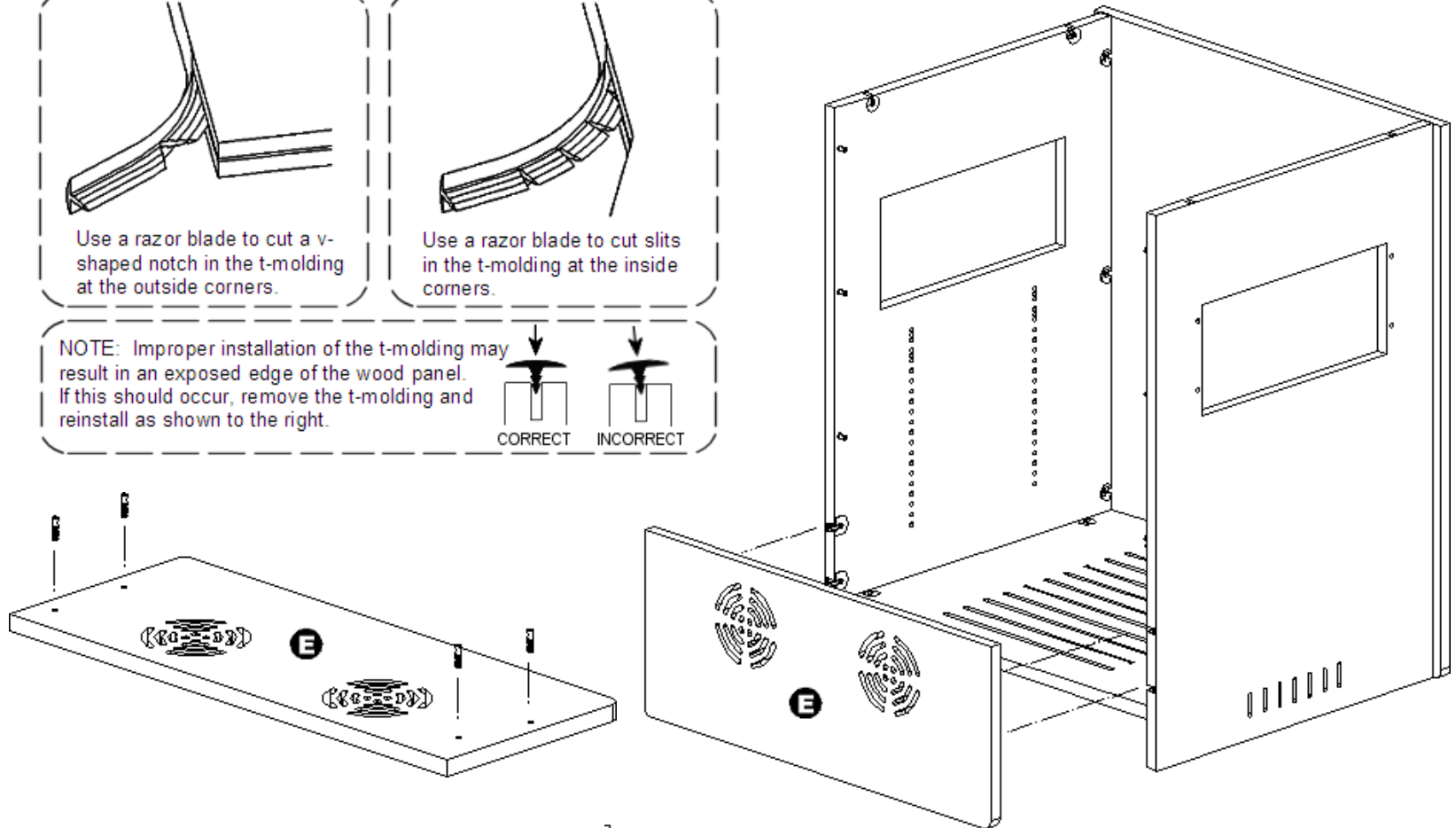
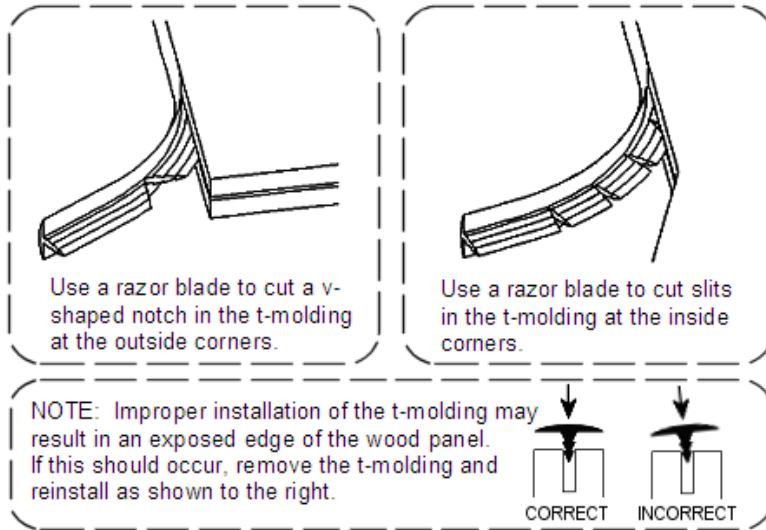
STEP 5

ASSEMBLY INSTRUCTIONS:

Install t-molding on panel E in the pre-cut slots using the methods illustrated below. Use a rubber mallet (or hammer) to gently tap the t-molding into the pre-cut grooves in the panels. Use a razor blade to trim off any excess t-molding so the edge of the t-molding is flush with the panel.

Insert 4 threaded pins (Part P1) into panel E. Attach panels E to panels A and B as show in the diagram below. Use a screwdriver and fully tighten each of the engaging cams.

NOTE: The rounded corners of panel E are towards the bottom of the cabinet.

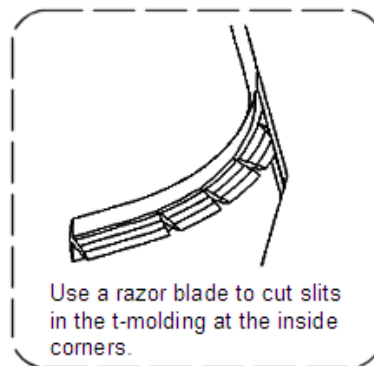
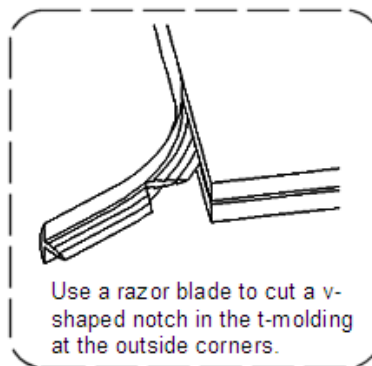


STEP 6

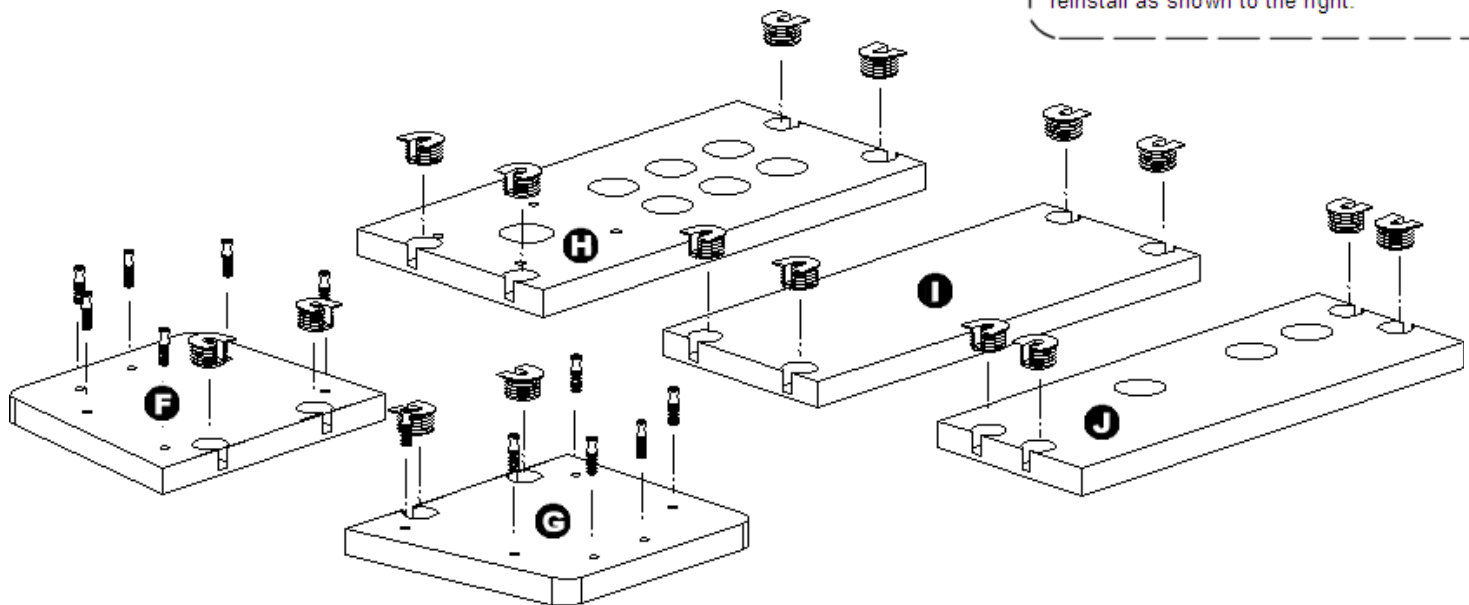
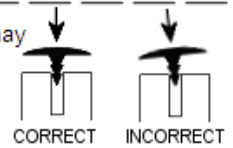
ASSEMBLY INSTRUCTIONS:

Install t-molding on panels F, G and H in the pre-cut slots using the methods illustrated to the right. Use a rubber mallet (or hammer) to gently tap the t-molding into the pre-cut grooves in the panels. Use a razor blade to trim off any excess t-molding so the edge of the t-molding is flush with the panel.

Insert 2 side entry cams (Part C2) and Insert 6 threaded pins (Part P1) into panels F and G. Insert 4 Camfix cams (Part C1) into panels H, I and J as shown below.



NOTE: Improper installation of the t-molding may result in an exposed edge of the wood panel. If this should occur, remove the t-molding and reinstall as shown to the right.



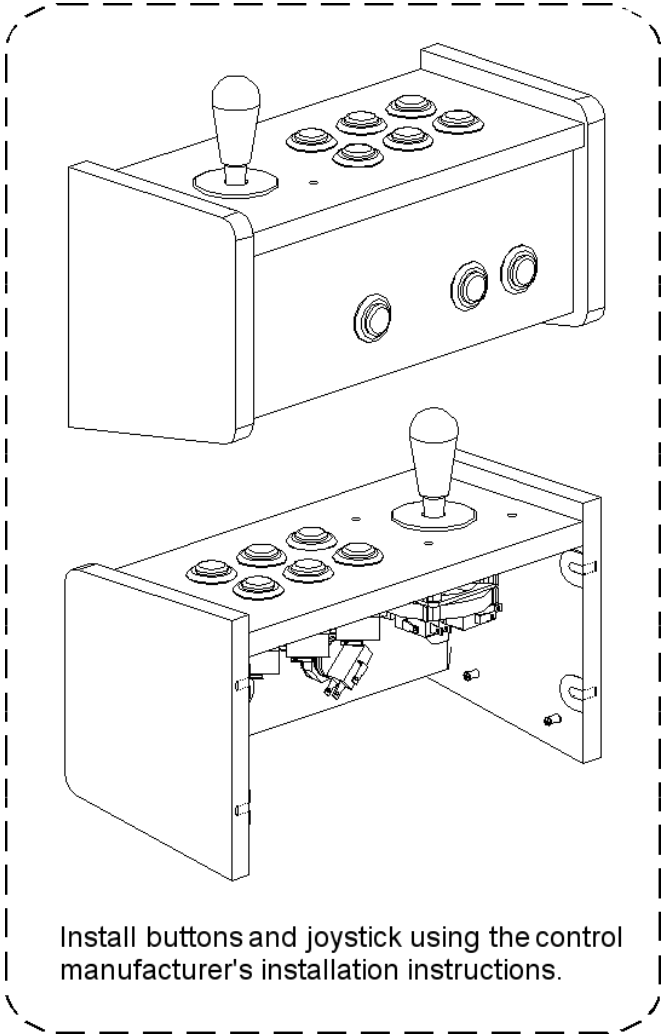
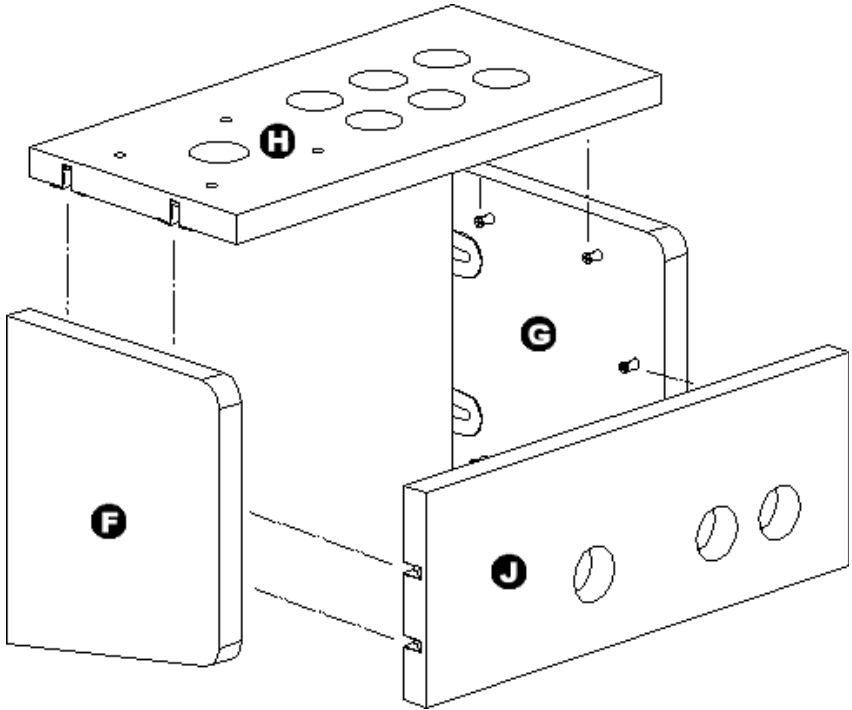


STEP 7

**ASSEMBLY INSTRUCTIONS:**

Attach panel H and J to panels F and G as show in the diagram below. Use a screwdriver and fully tighten each of the engaging cams.

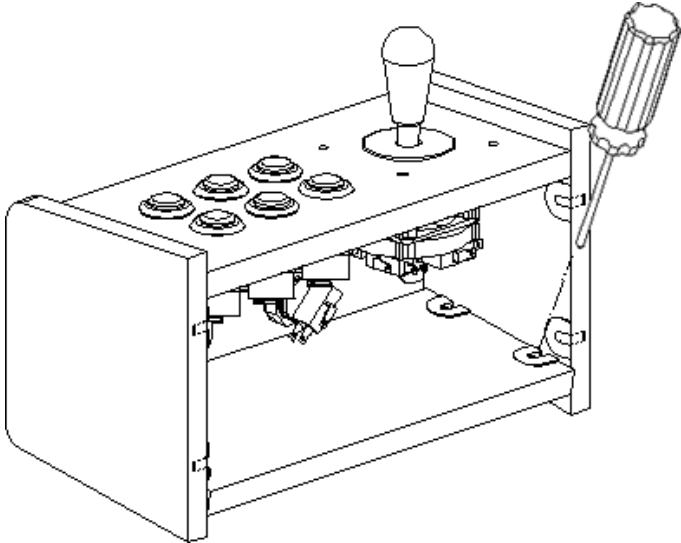
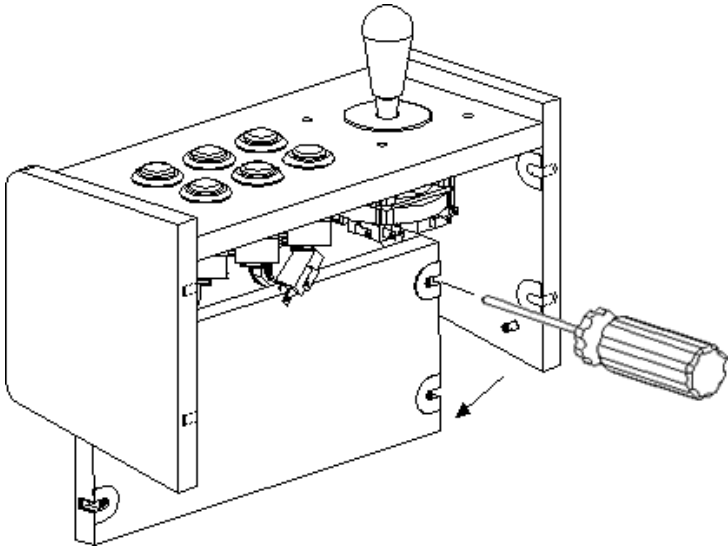
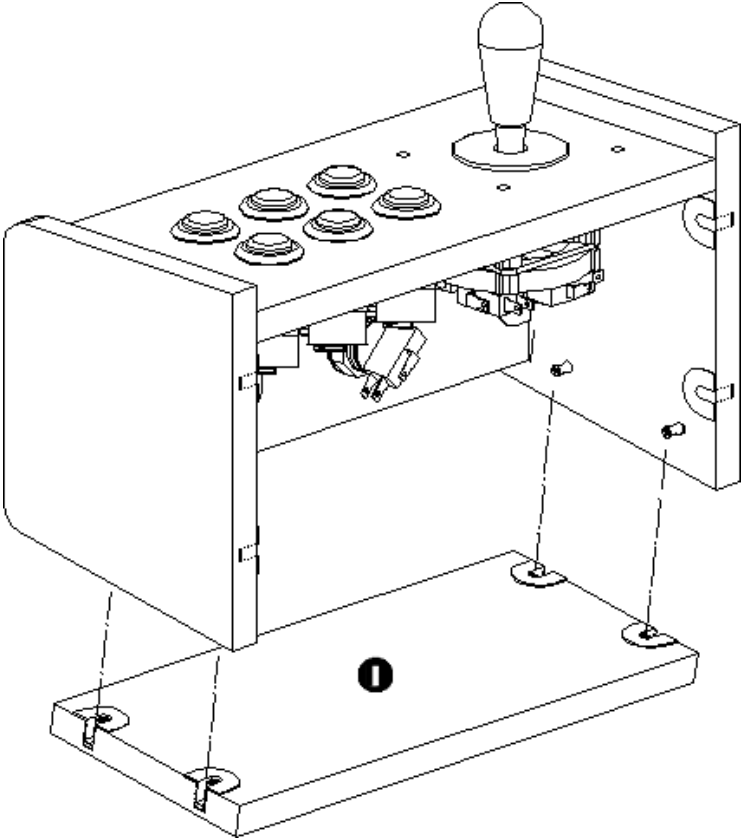
**NOTE:** Install joystick and buttons using the control manufacturer's installation instructions. Wiring of the individual controls should be done at this point.



STEP 8

ASSEMBLY INSTRUCTIONS:

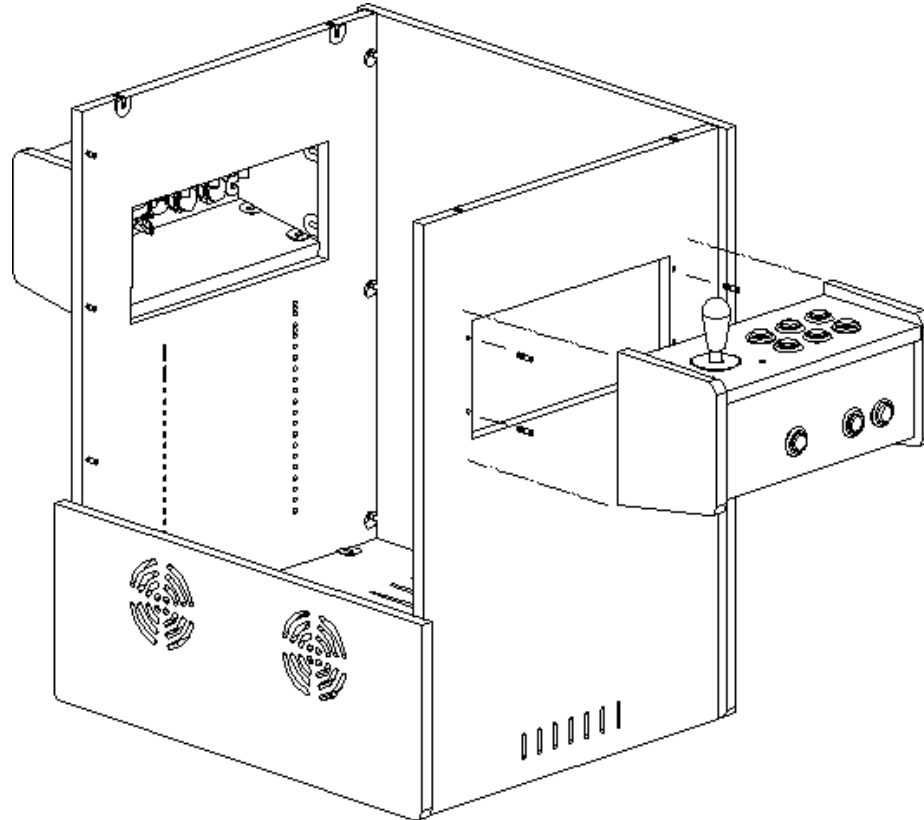
Attach panel I to panels F and G as show in the diagram below. Do not tighten cams at this point. Pivot panel I downward as shown in the top right diagram. Use a screwdriver and fully tighten the top two engaging cams. Pivot panel I upward as shown in the bottom right diagram. Use a screwdriver and fully tighten the remaining two cams.



STEP 9

**ASSEMBLY INSTRUCTIONS:**

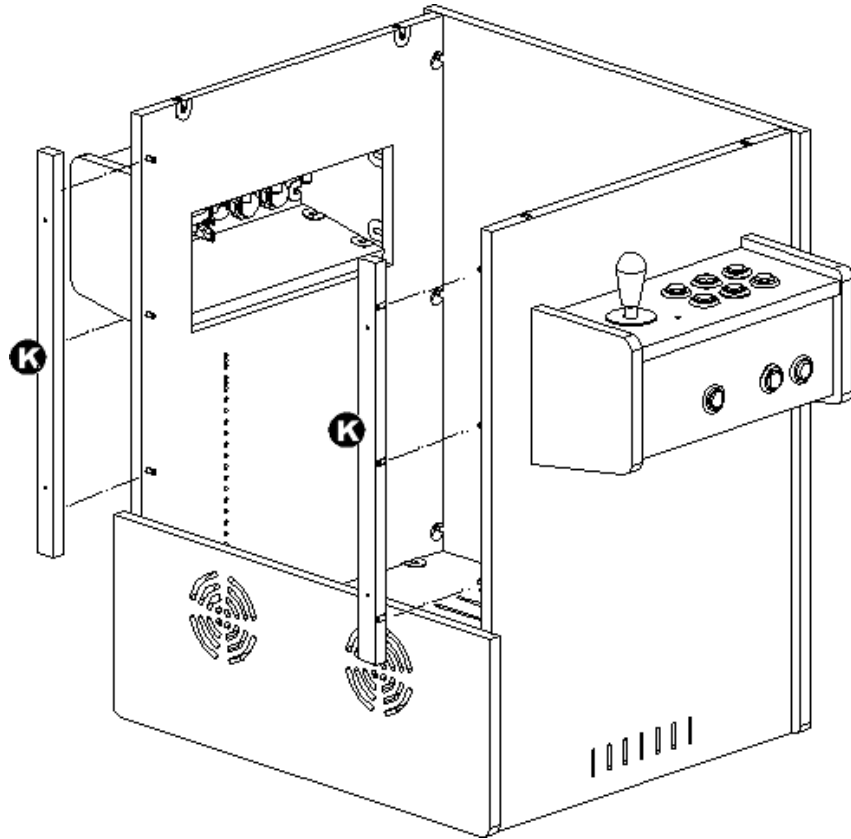
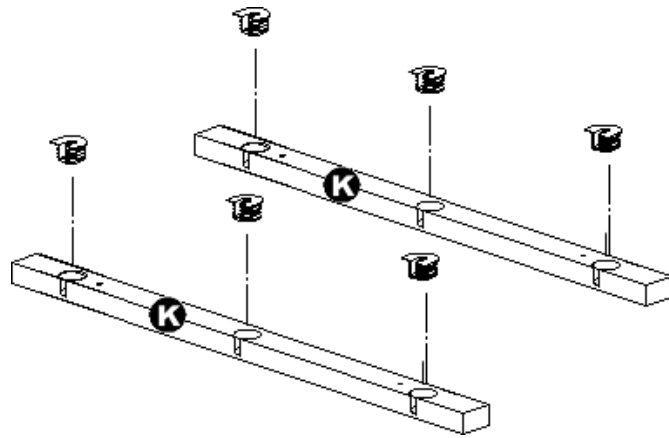
Insert 4 threaded pins (Part P1) into the outside of panel A and B. Attach the control panel assembly as shown below. Use a screwdriver and fully tighten all engaging cams.



STEP 10

**ASSEMBLY INSTRUCTIONS:**

Insert 3 Camfix cams (Part C1) into panels K. Attach both panels K to panels A and B as shown below. Using a screwdriver, tighten all engaging cams.

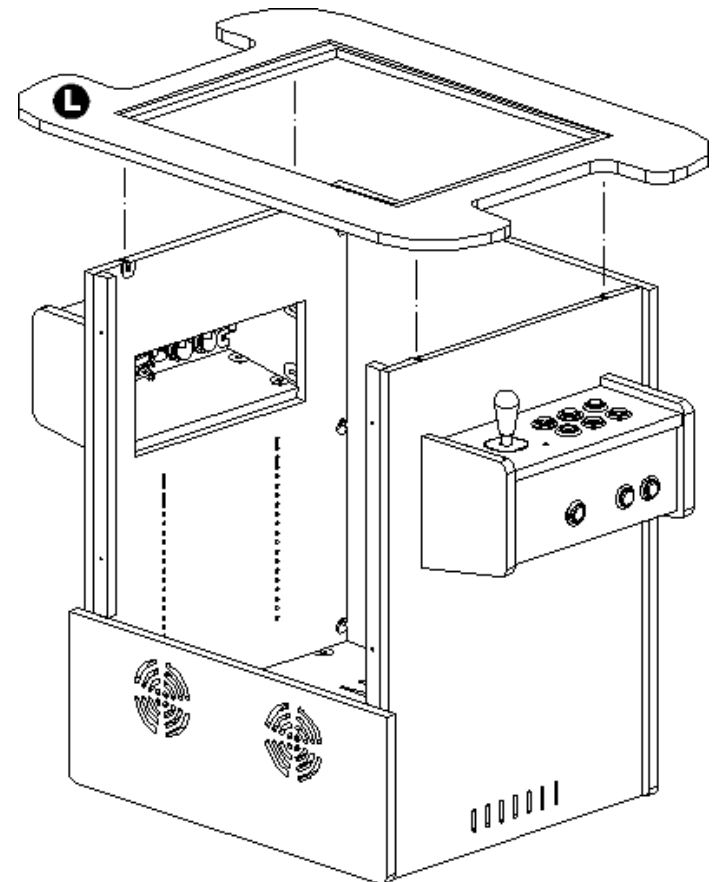
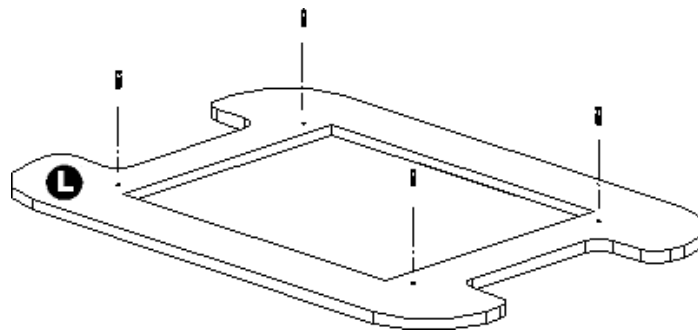
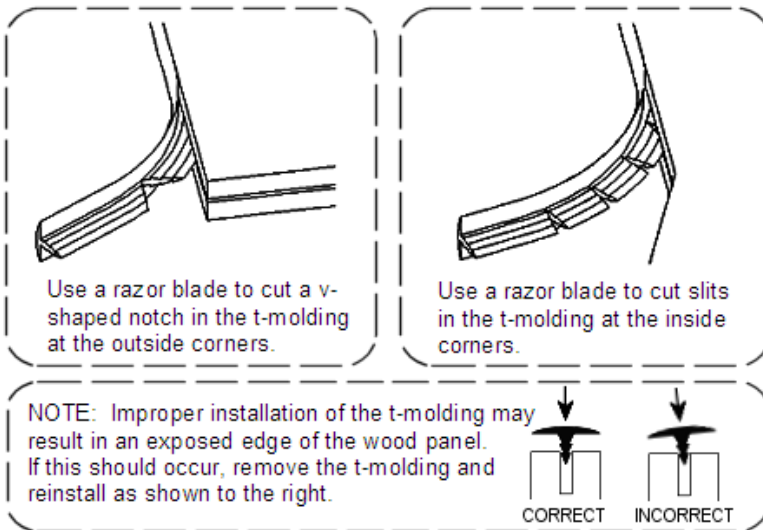


STEP 11

ASSEMBLY INSTRUCTIONS:

Install t-molding on panel L in the pre-cut slots using the methods illustrated below. Use a rubber mallet (or hammer) to gently tap the t-molding into the pre-cut grooves in the panel. Use a razor blade to trim off any excess t-molding so the edge of the t-molding is flush with the panel.

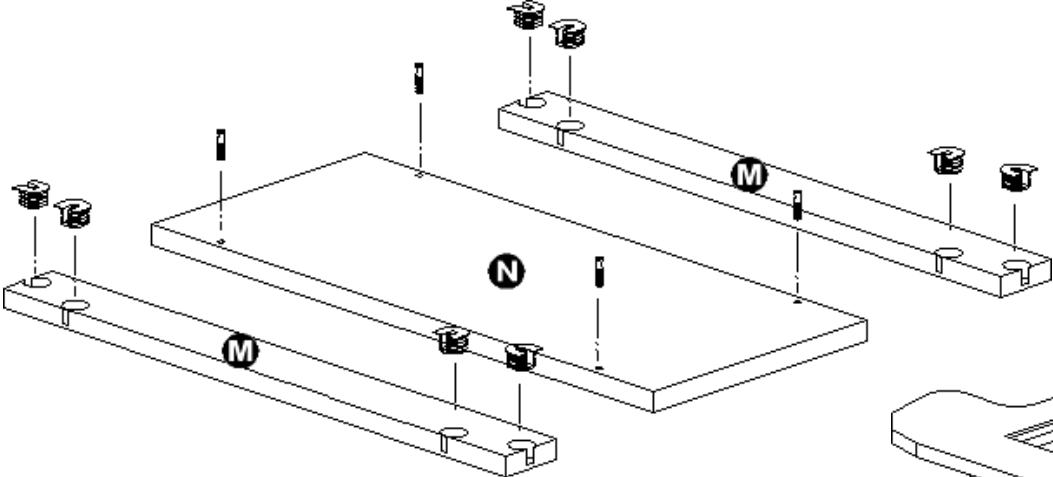
Insert 4 threaded pins (Part P1) into panel L. Attach panel L to the base assembly as shown below. Using a screwdriver, fully tighten all engaging cams.



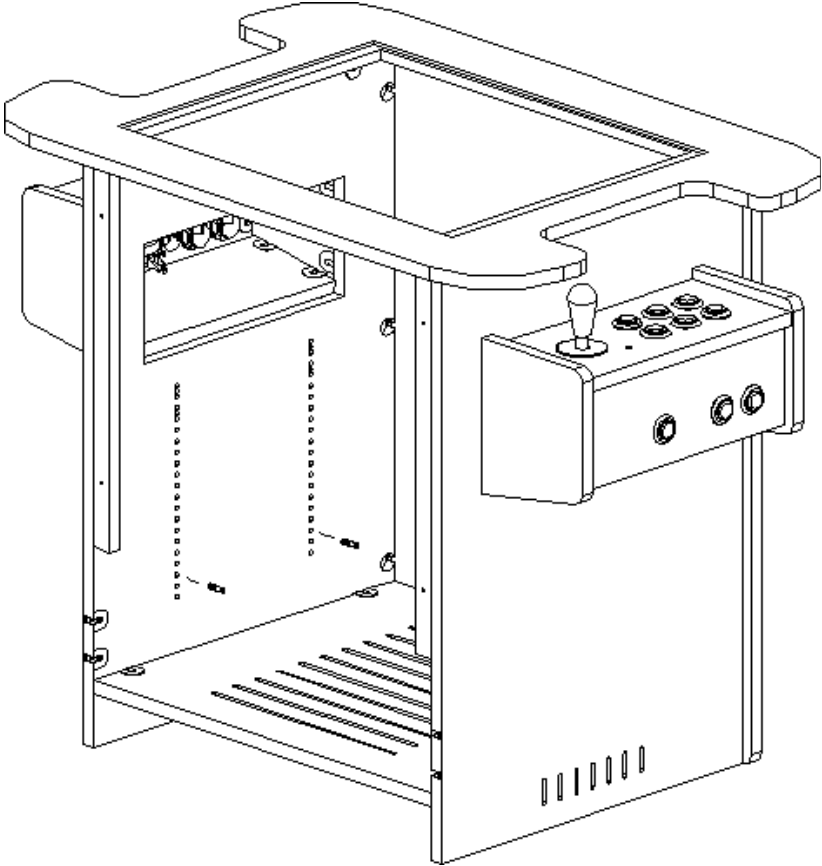
STEP 12

ASSEMBLY INSTRUCTIONS:

Insert 4 Camfix cams (Part C1) into panels M. Insert 4 threaded pins (Part P1) into panel N. Measure the overall depth of the monitor. Position and install 4 threaded pins into panels A and B at the appropriate height as shown below.



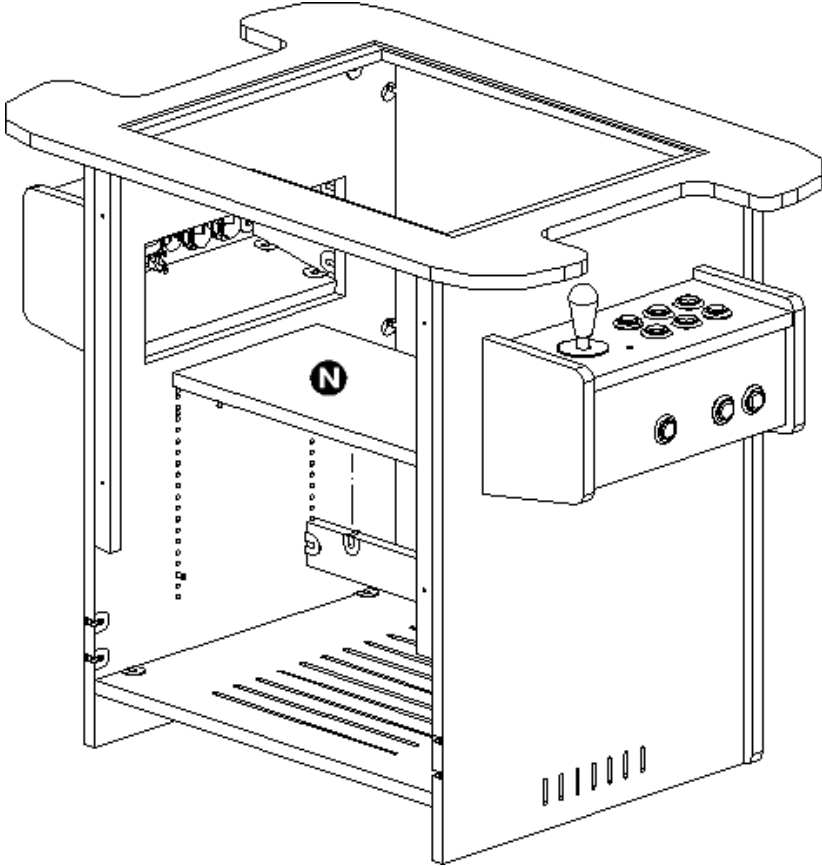
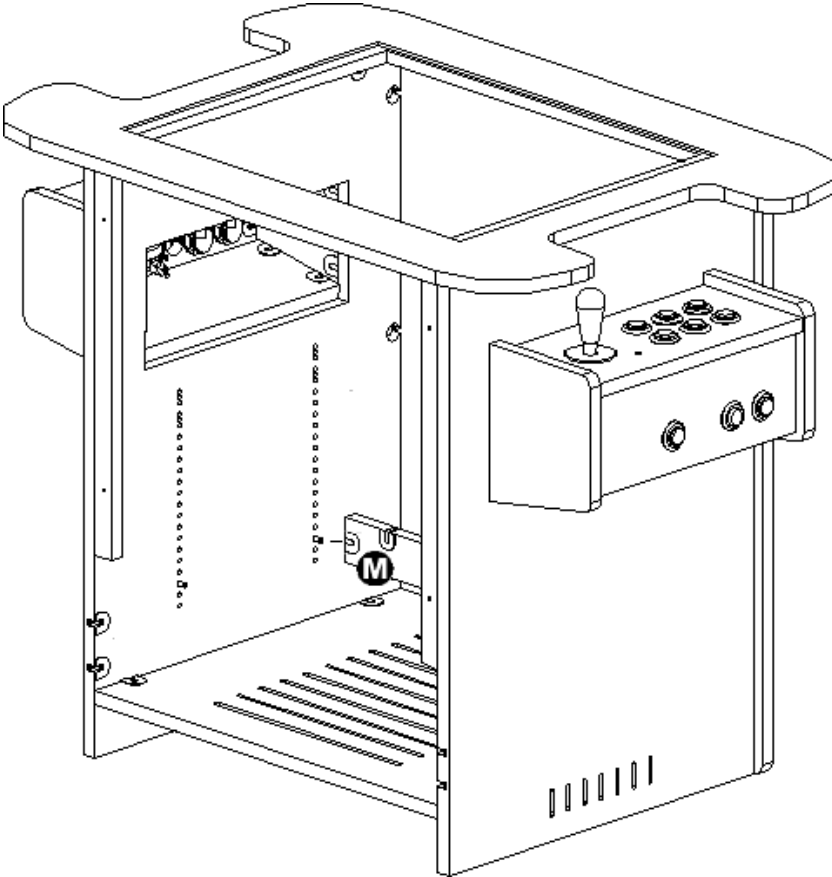
NOTE: Temporarily remove panel E if necessary.



STEP 13

**ASSEMBLY INSTRUCTIONS:**

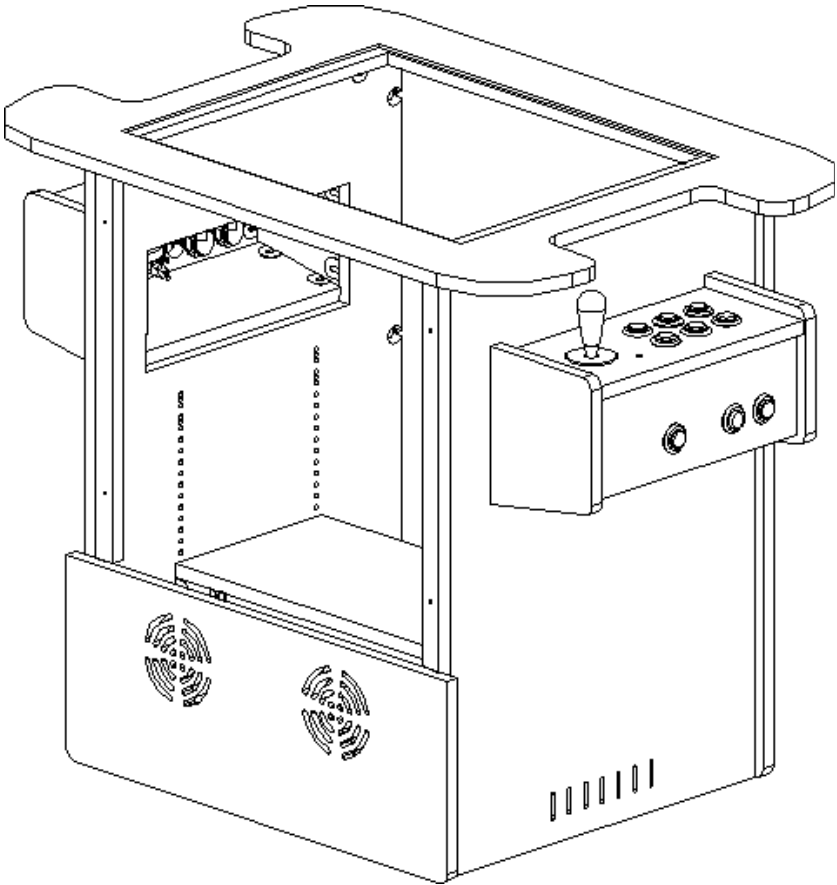
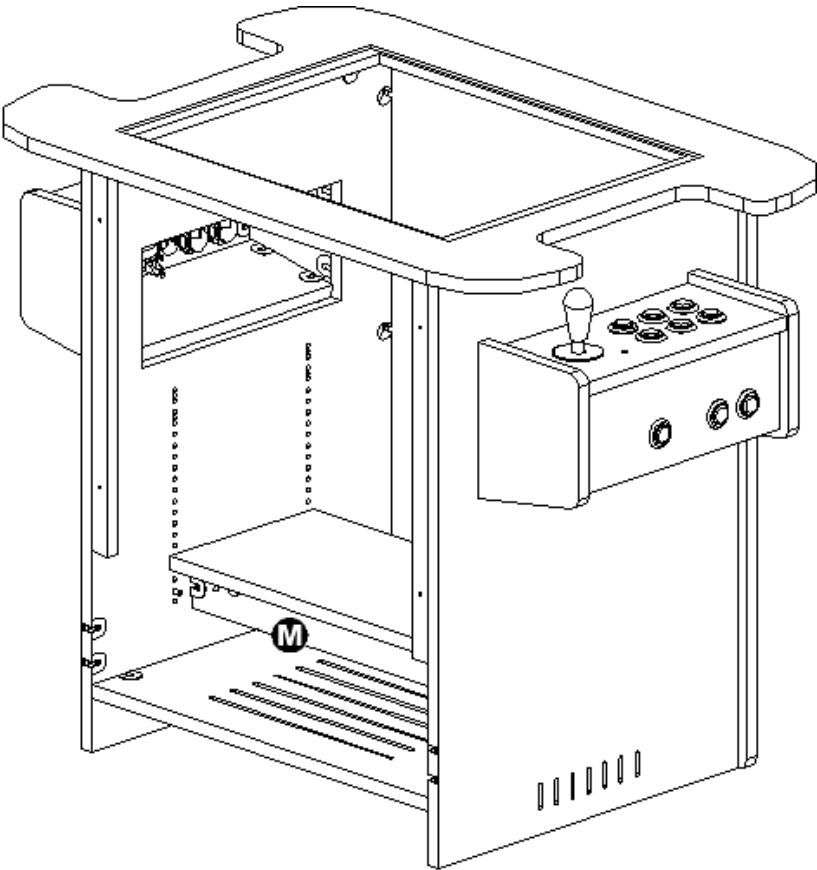
Attach a panel M to panels A and B as shown below and tighten engaging cams. Next, attach panel N to panel M and tighten engaging cams as shown below.



STEP 14

**ASSEMBLY INSTRUCTIONS:**

Attach remaining panel M to panels A, B and N as shown below and tighten engaging cams. Re-attach panel E if removed.





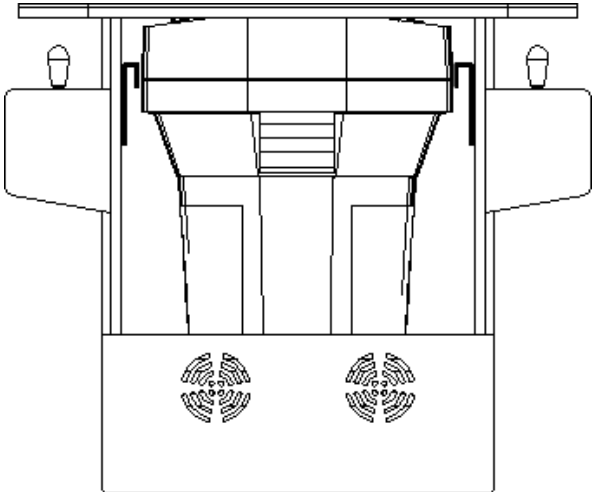
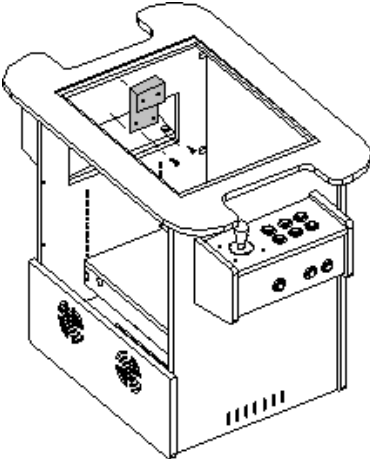
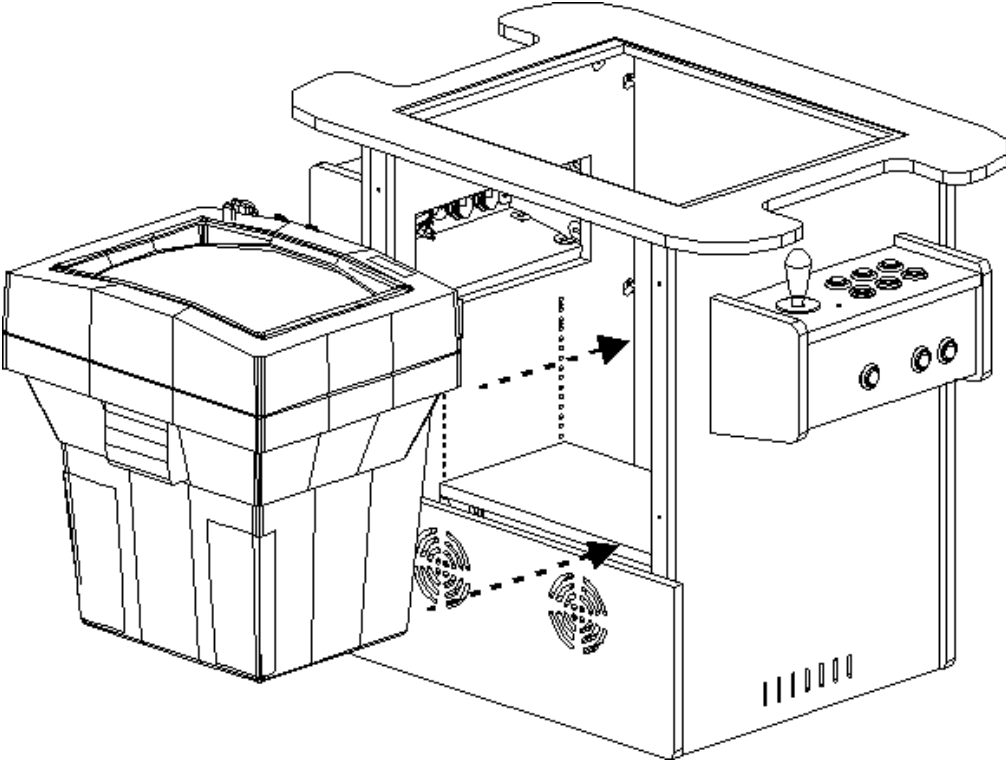
STEP 15

ASSEMBLY INSTRUCTIONS:

Install monitor (Not Included) in a vertical position as shown below. Center the monitor screen in the tabletop opening. Temporarily mount the monitor bezel to ensure proper screen alignment. Measure the distance from the edge of the monitor and the side of the cabinet. Bend the flat brackets (Part B1) accordingly as shown below right. Secure the brackets with 1/2" long screws (Part S2).

NOTE: Due to the variations in monitor designs, an alternate method for securing the monitor within the cocktail cabinet may need to be determined at the time of installation.

**Install all electrical components at this time.**

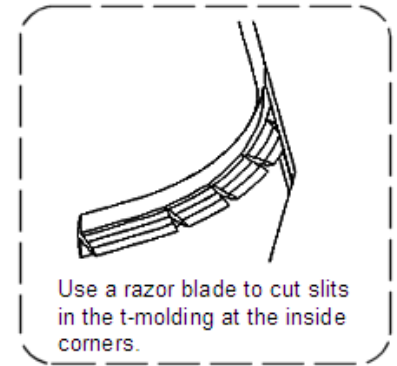
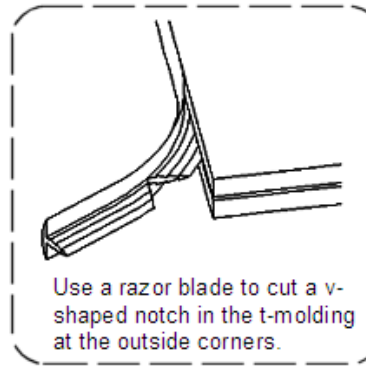
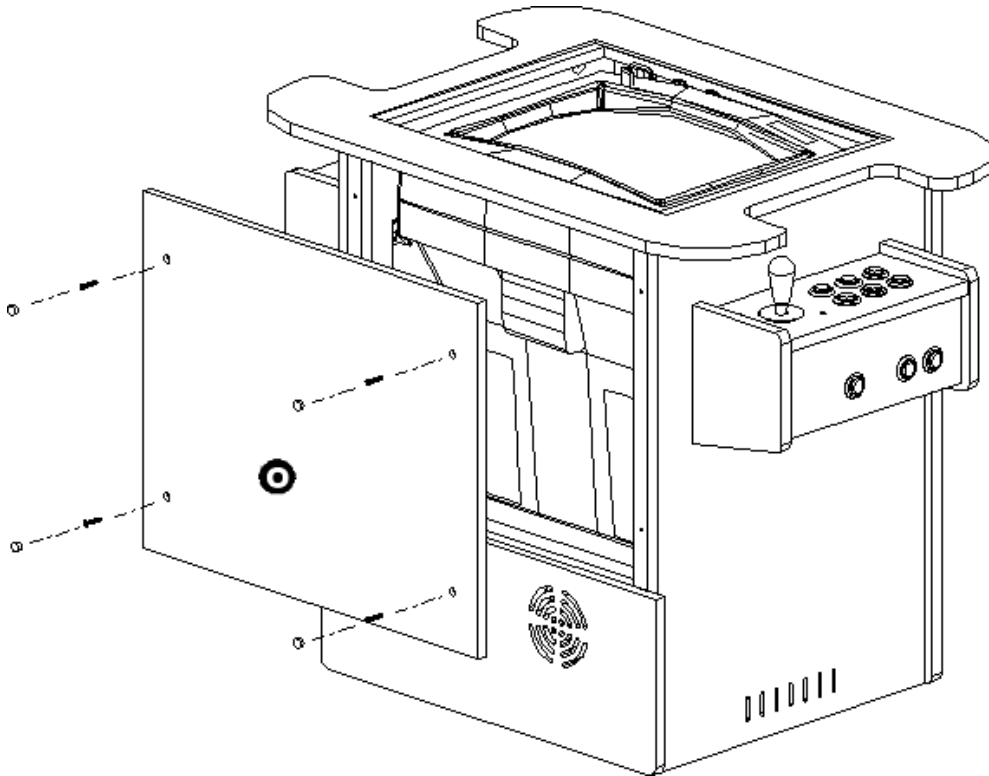


STEP 16

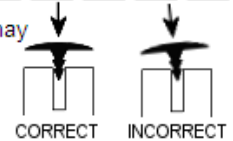
ASSEMBLY INSTRUCTIONS:

Install t-molding on panel O in the pre-cut slots using the methods illustrated to the right. Use a rubber mallet (or hammer) to gently tap the t-molding into the pre-cut grooves in the panel. Use a razor blade to trim off any excess t-molding so the edge of the t-molding is flush with the panel.

Attach panel O to panels K using 4 wood screws (Part S1). Insert 4 hole caps (Part H1) in the countersunk screw holes:



NOTE: Improper installation of the t-molding may result in an exposed edge of the wood panel. If this should occur, remove the t-molding and reinstall as shown to the right.



STEP 17

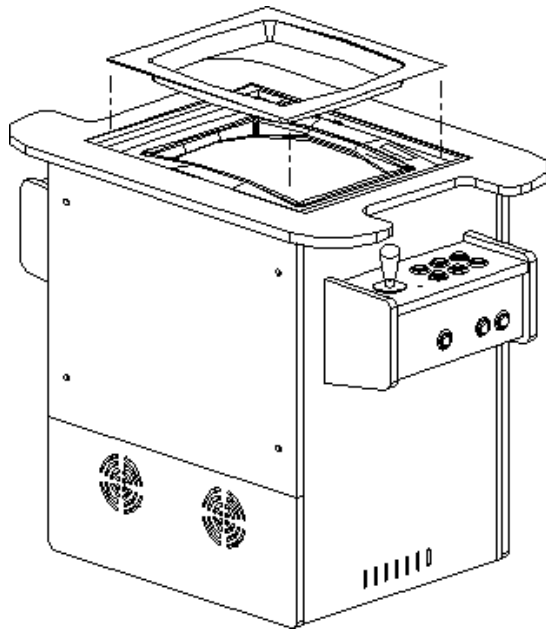
ASSEMBLY INSTRUCTIONS: **Bezel Frame Installation**

The Ultimate Arcade II cabinet is designed to use a plastic bezel frame (Not included) from Happ Controls ([www.happcontrols.com](http://www.happcontrols.com)).

The bezel frame will need to be cut down to size (20" x 15 1/4"). Be sure to align the bezel frame opening with the monitor screen before cutting.

**Not Included:**

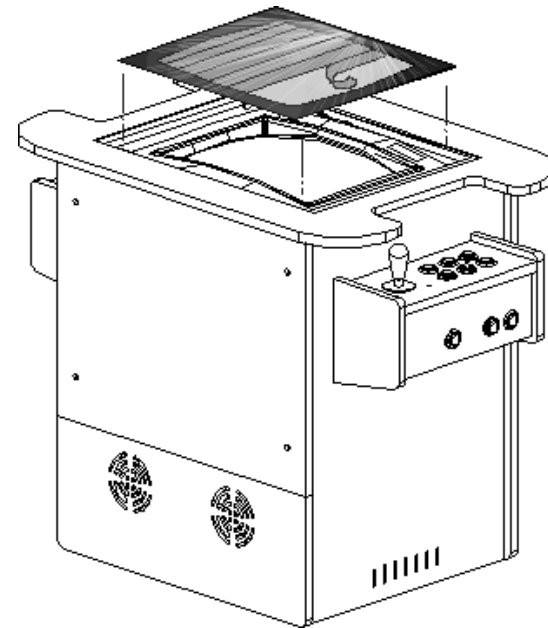
- 13" BEZEL FRAME (PART #49-3090-00)
- 19" BEZEL FRAME (PART #49-0105-00)



**How to create a custom bezel:**

A custom bezel may be created using a 20" x 15 1/4" x 1/8" sheet of Plexiglas (Not included). Temporarily install the sheet of Plexiglas against the bezel frame cutout. Using a felt tipped marker or pencil, carefully trace the outline of the monitor/TV screen area. Remove the Plexiglas sheet. Using masking tape, tape off the inside area where the screen will be displayed. Use flat paint (either spray paint or brush on latex) and paint the unmasked areas of the Plexiglas. Allow to dry and remove masking tape. The painted side of the Plexiglas will face in towards the cabinet.

**NOTE:** You may need to use a razor blade and carefully cut around the edge of the masking tape)



STEP 18

ASSEMBLY INSTRUCTIONS: **Tabletop Installation (Optional)**

Your Ultimate Cocktail cabinet kit may be fitted with a ¼" thick glass/plastic top. Use thin rubber pads to keep the glass top from sitting directly onto the top panel and to hold the tabletop in place. For a permanent/secure installation, attach the tabletop using glass clips (available at [www.gamecabinetsinc.com](http://www.gamecabinetsinc.com))

NOTE: If not included with your kit, you may have a custom top made from your local glass shop using the dimensions provided below. Be sure to have the edges polished/sanded and you may also want to have the glass "tempered" for additional strength. A tinted glass is recommended.

