

LEGAL DISCLAIMER:

MameRoom Designs LLC ® will not be held liable for any incidental or consequential damages for breach of any expressed or implied warranty of the Ultimate Arcade cabinet, nor an incidental or consequential damages from the inability to use, or ability to use the cabinet. Under no circumstance shall MameRoom Designs LLC ®, liability exceed the purchase price of the product as sold by MameRoom Designs LLC ®. MameRoom Designs LLC ® reserves the right to refuse to honor this warranty if any of above exceptions caused the product design and/or structural integrity to fail.

COPYRIGHT:

The Ultimate Arcade and all logos are trademark of MameRoom Designs LLC ®. All rights reserved. All U.S. and International patent and trademark infringement/misuse will be prosecuted to the fullest extend of the law. This includes violations of infringements of design, manufacturing, concept or utility patents currently covered or pending patents to be issued. Any and all trademarks, representations, and copyrights are trademark of their respective owners.

WARRANTY:

MameRoom Designs LLC ® warrants the Ultimate Arcade cabinet against defect in workmanship and materials as herein:

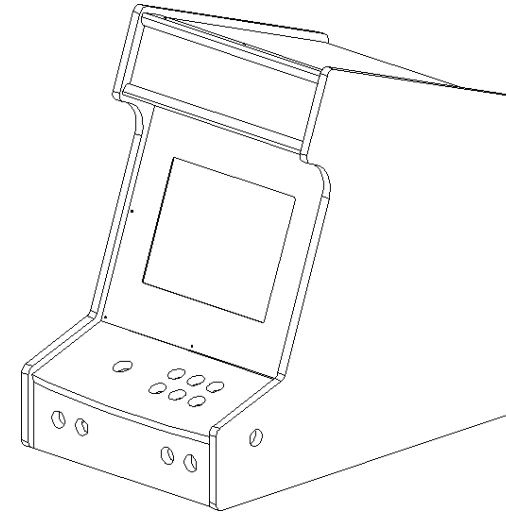
For a period of 30 days from the original date of purchase, if MameRoom Designs LLC ® determines that the product is defective subject to the limitations of this warranty, it will be replaced at no charge for labor and/or materials. MameRoom Designs LLC ® warrants any replacement parts against defects in materials or workmanship for the remainder of the original warranty period.

WARRANTY SERVICE
sales@mameroom.com

ASSEMBLY INSTRUCTIONS

ULTIMATE ARCADE BARTOP

- Model #: UABARTOP

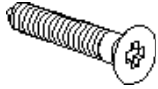





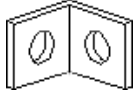


- Assembly of cabinet in or near final destination is recommended
- Measure all doorways and stairways leading to final destination before assembly

For technical support or general assembly questions, please contact:
sales@mameroom.com

HARDWARE INCLUDED

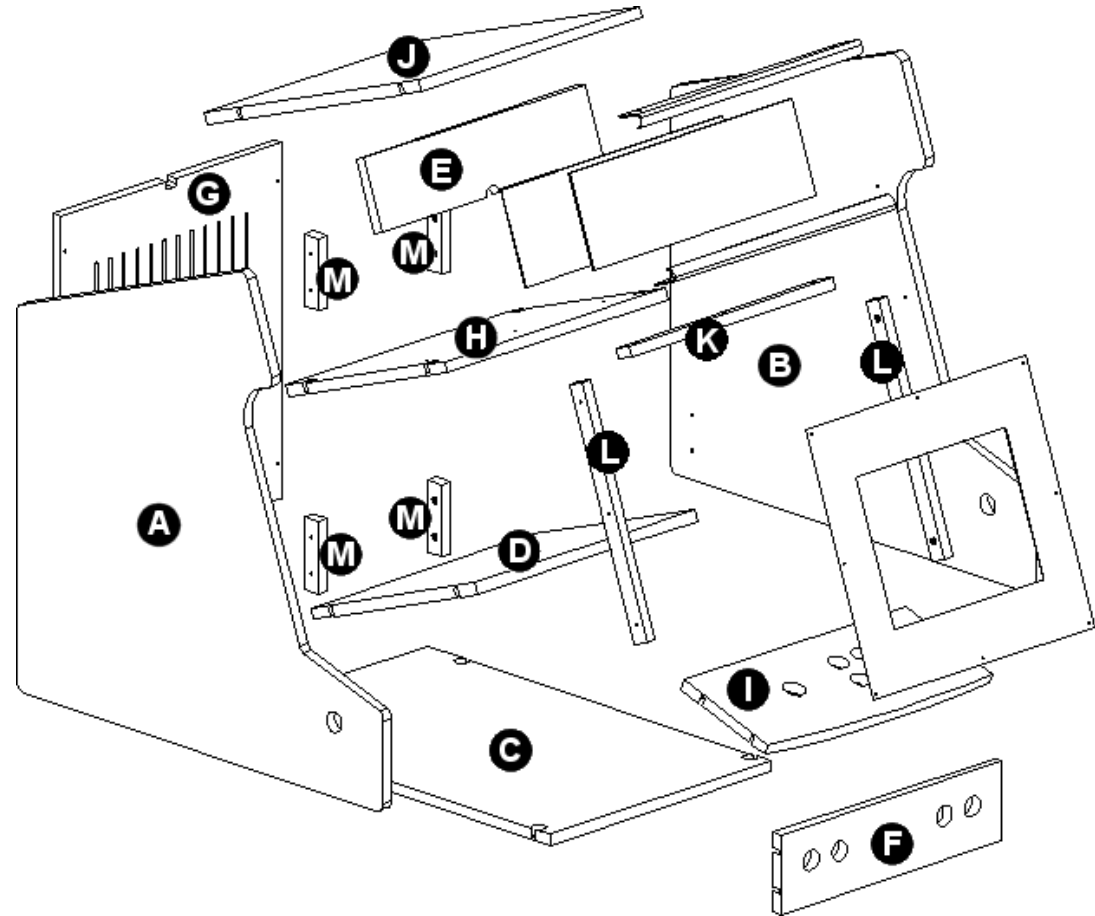
(Contact sales@mameroom.com for replacement hardware)

S1		21	#8 x 1" long flat head wood screw
S2		14	#4 x 3/4" long pan head screw
H1		4	10mm hole cap (black)
C1		26	Drop-on assembly cam (Black)
P1		26	5mm Eurothread pin
T1		25 Ft	3/4" Black t-molding
L1		4	1" Corner bracket

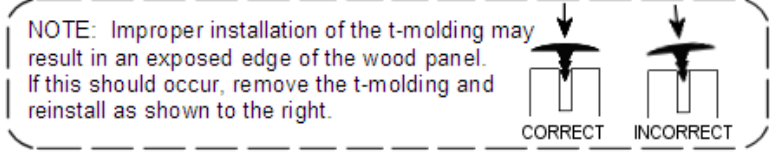
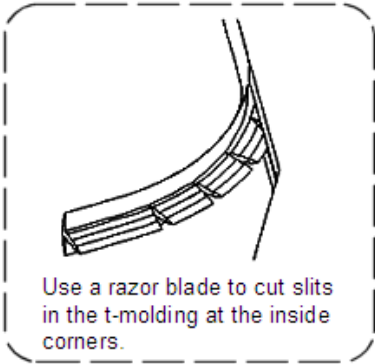
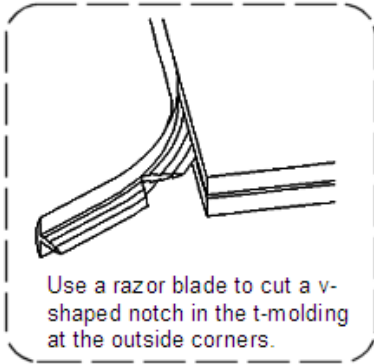
WHAT YOU WILL NEED (Not Included)

- 1) Black spray paint or flat black latex paint
- 2) Razor blade
- 3) Hammer
- 4) Phillips head screwdriver
- 5) Masking tape

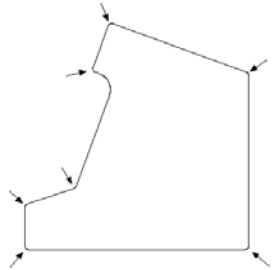
PARTS INCLUDED (Letters are placed on each panel for easy identification)



STEP 1

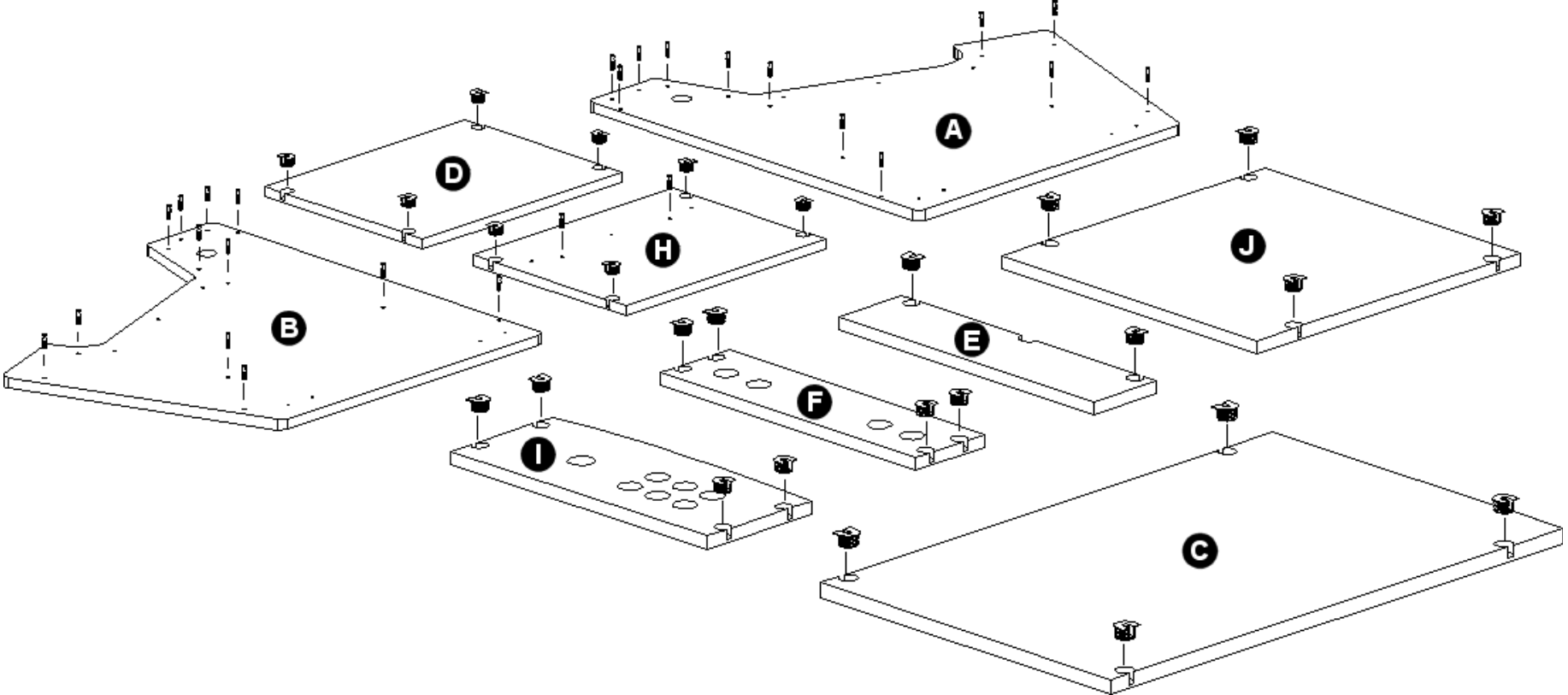


Install t-molding on panels A, B and I in the pre-cut slots using the methods illustrated to the right. Notch or slit the t-molding barbs at the corners designated with arrows in the diagram below for panels A and B. Use a rubber mallet (or hammer) to gently tap the t-molding into the pre-cut grooves in the panels. Use a razor blade to trim off any excess t-molding so the edge of the t-molding is flush with the panel.



- Install 12 threaded pins (P1) in panels A & B.
- Install 4 black cams (C1) and 2 threaded pins (P1) in panel H.
- Install 4 black cams (C1) in panels D, F, I, J and C.
- Install 2 black cams (C1) in panel E

Note: Be sure the flat edge of the cams (C1), are flush and in line with the edge of the panel.

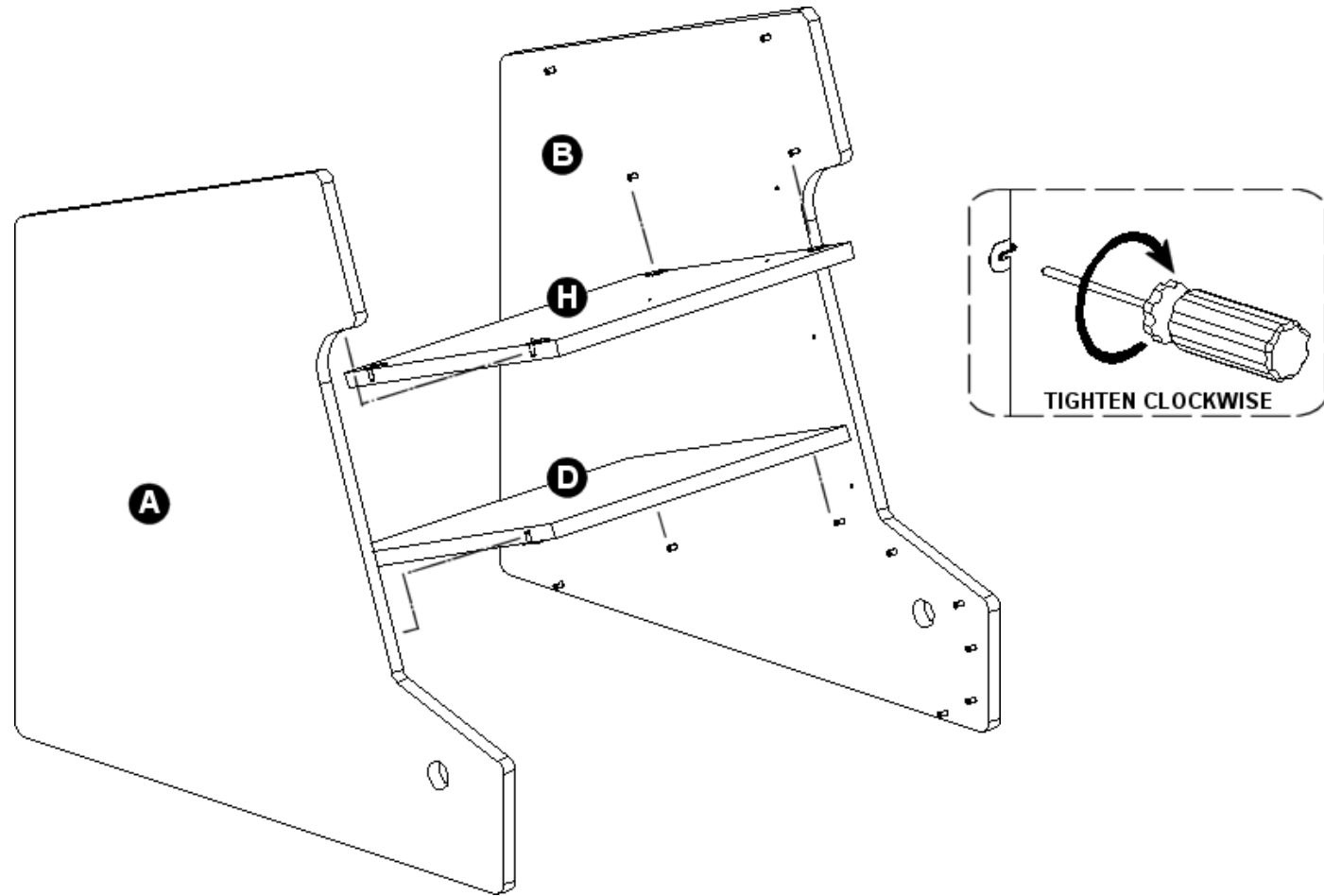


STEP 2

ASSEMBLY INSTRUCTIONS:

Attach panels H and D to panels A and B as show in the diagram below. Use a screwdriver and fully tighten each of the engaging cams.

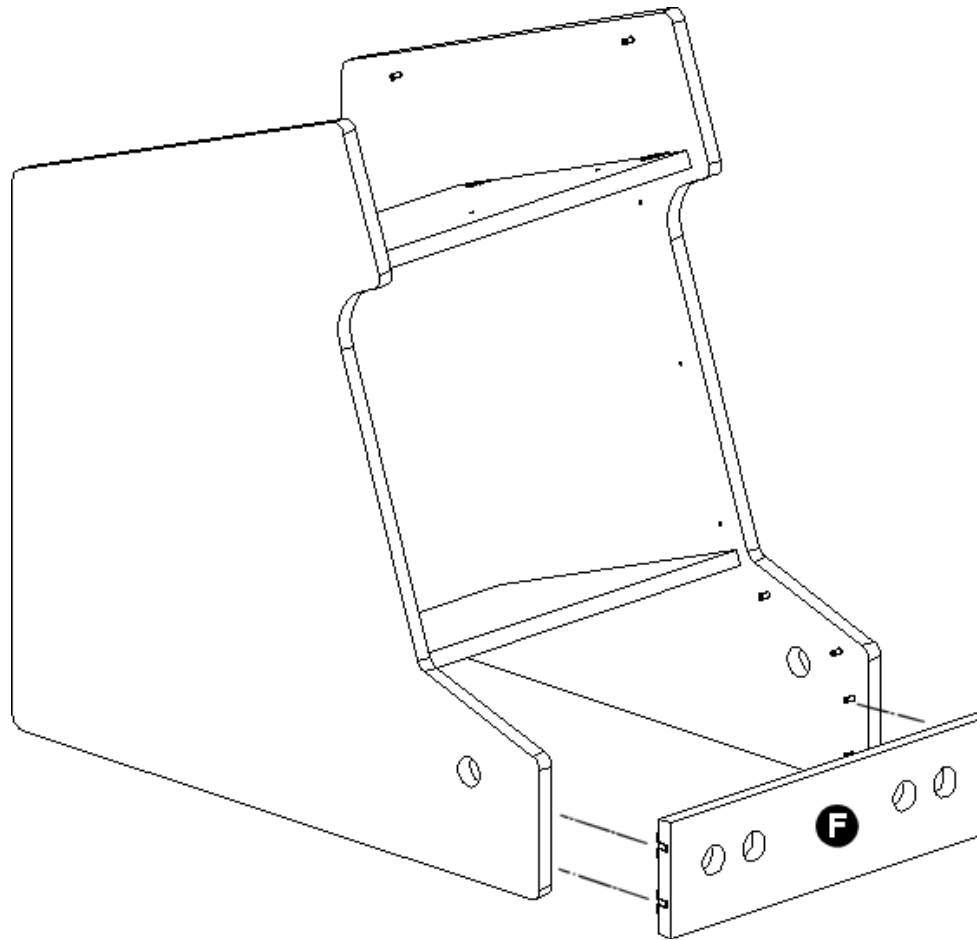
Note: Install panel H with the small holes and threaded pins in panel H are towards the front of the cabinet.



STEP 3

ASSEMBLY INSTRUCTIONS:

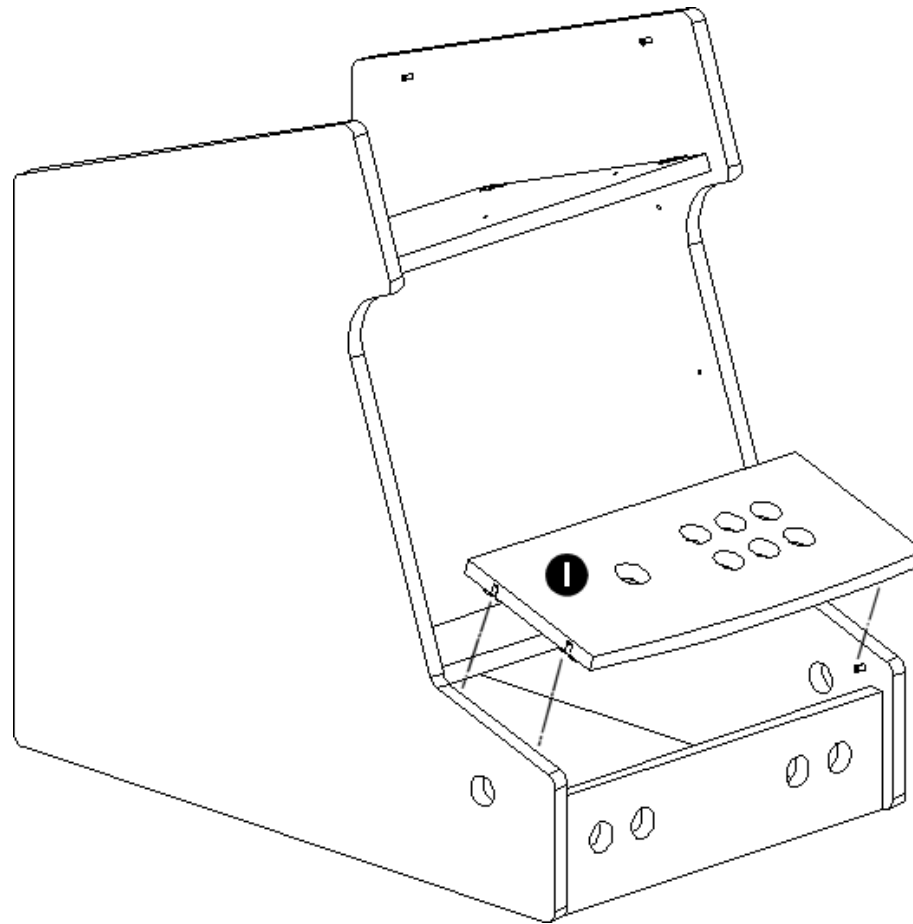
Attach panel F to panels A and B as show in the diagram below. Use a screwdriver and fully tighten each of the engaging cams.



STEP 4

ASSEMBLY INSTRUCTIONS:

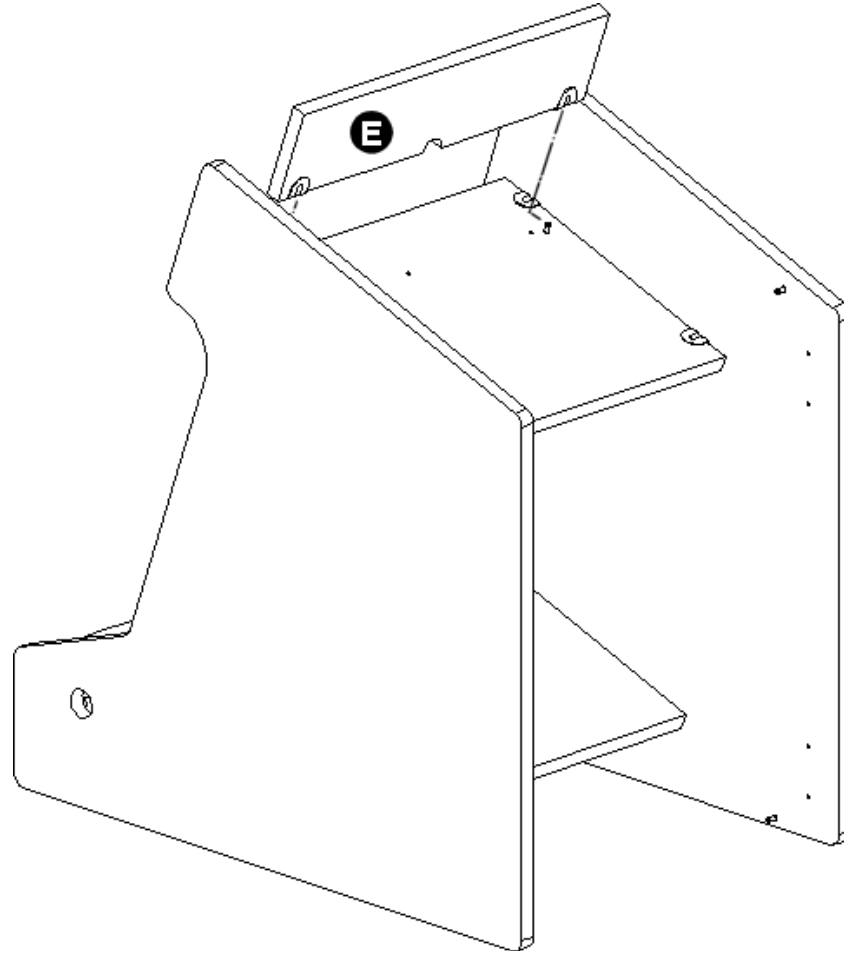
Attach panel I to panels A and B as show in the diagram below. Use a screwdriver and fully tighten each of the engaging cams.



STEP 5

ASSEMBLY INSTRUCTIONS:

Attach panel E to panel H as show in the diagram below. Use a screwdriver and fully tighten each of the engaging cams.

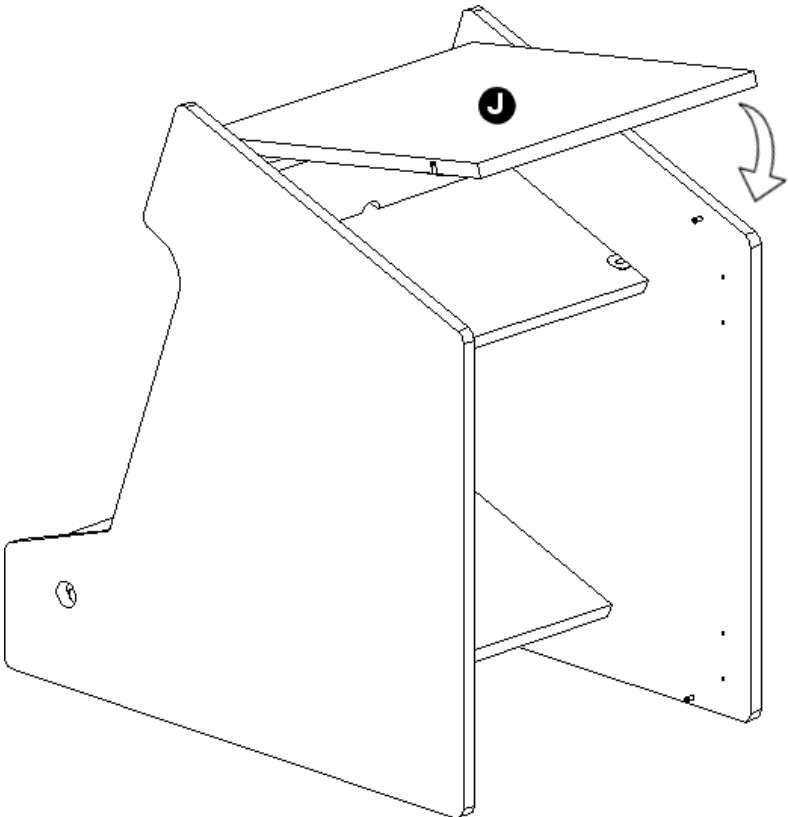
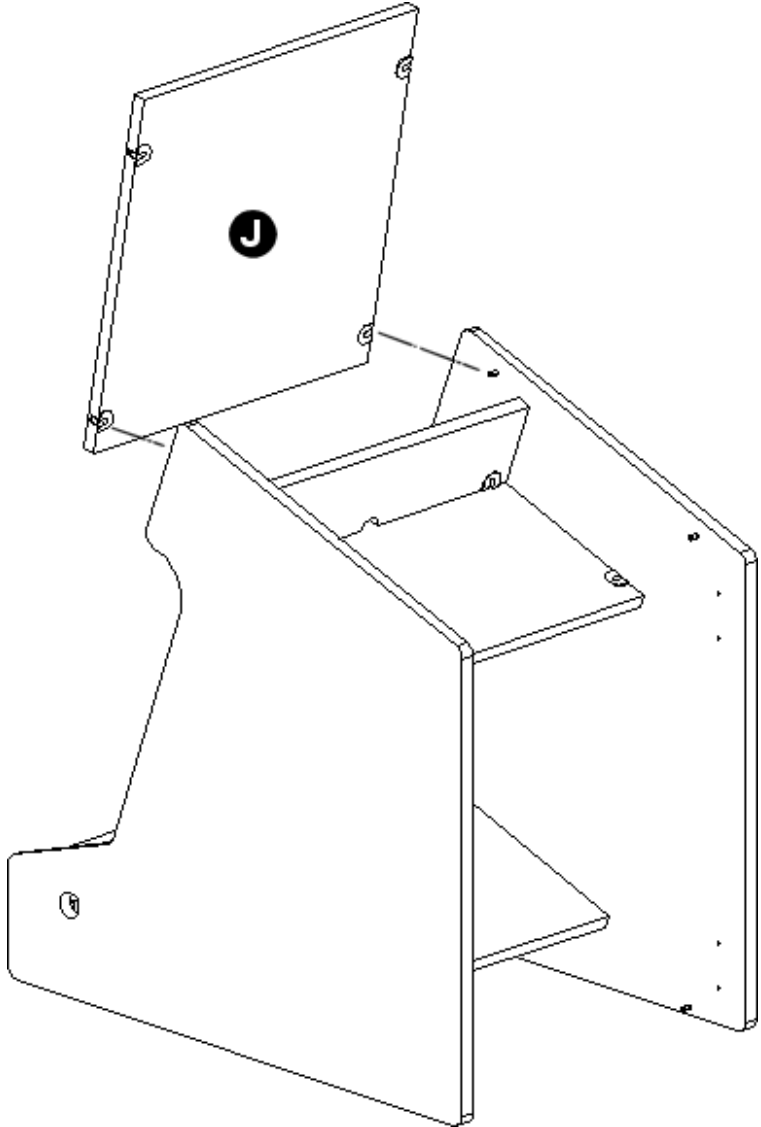


STEP 6

ASSEMBLY INSTRUCTIONS:

Attach panel J to panels A and B as show in the diagram below. Use a screwdriver and fully tighten the two front cams while the panel is in a vertical position. Swing panel J downward to engage the rear 2 cams with the threaded pins in panels A and B. Fully tighten the remaining cams.

Note: The cams that are closest to the edge of panel J will be towards the front of the cabinet.

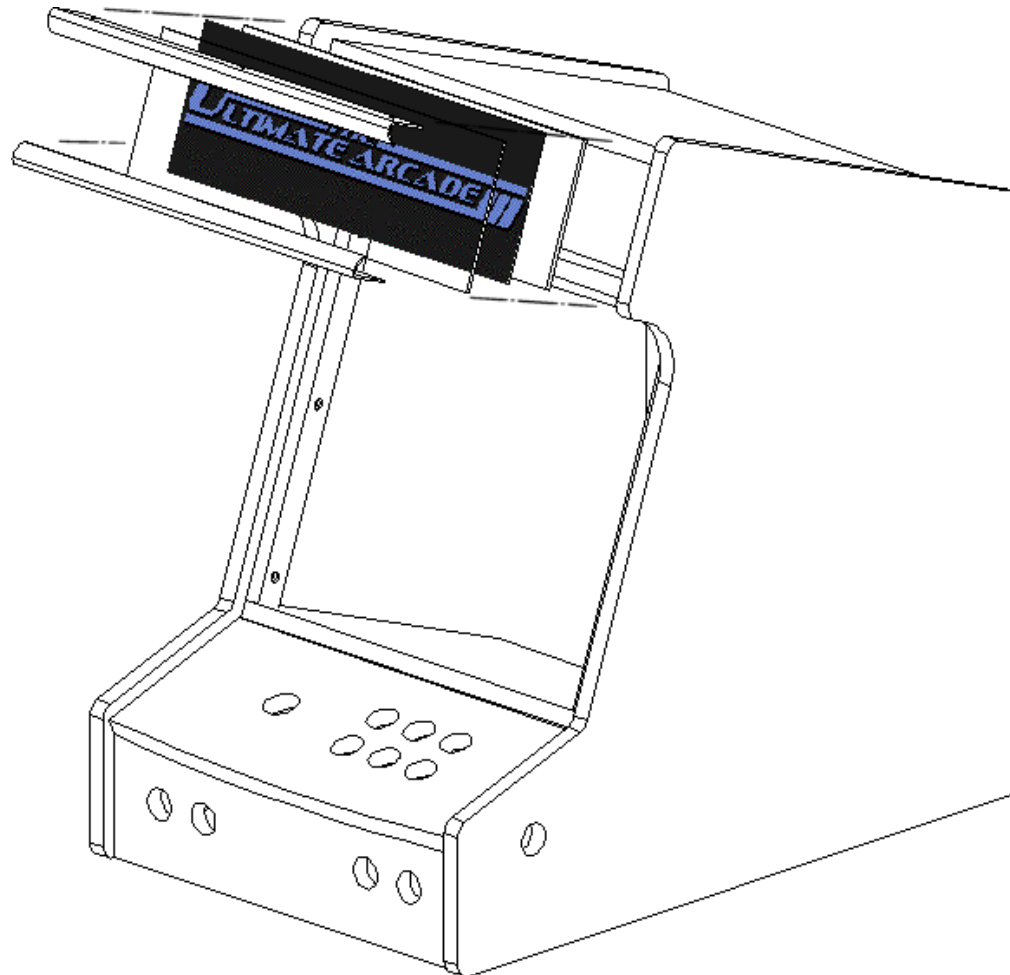


STEP 7

MARQUEE INSTALLATION:

Remove the protective backing on both sides of the marquee Plexiglas. Place a printed 16.25" x 5.25" marquee (not included) between the two pieces of marquee Plexiglas. Position the marquee assembly in the marquee opening and secure using the included marquee retainers. Fasten the marquee retainers to the cabinet using the black pan head screws (S2).

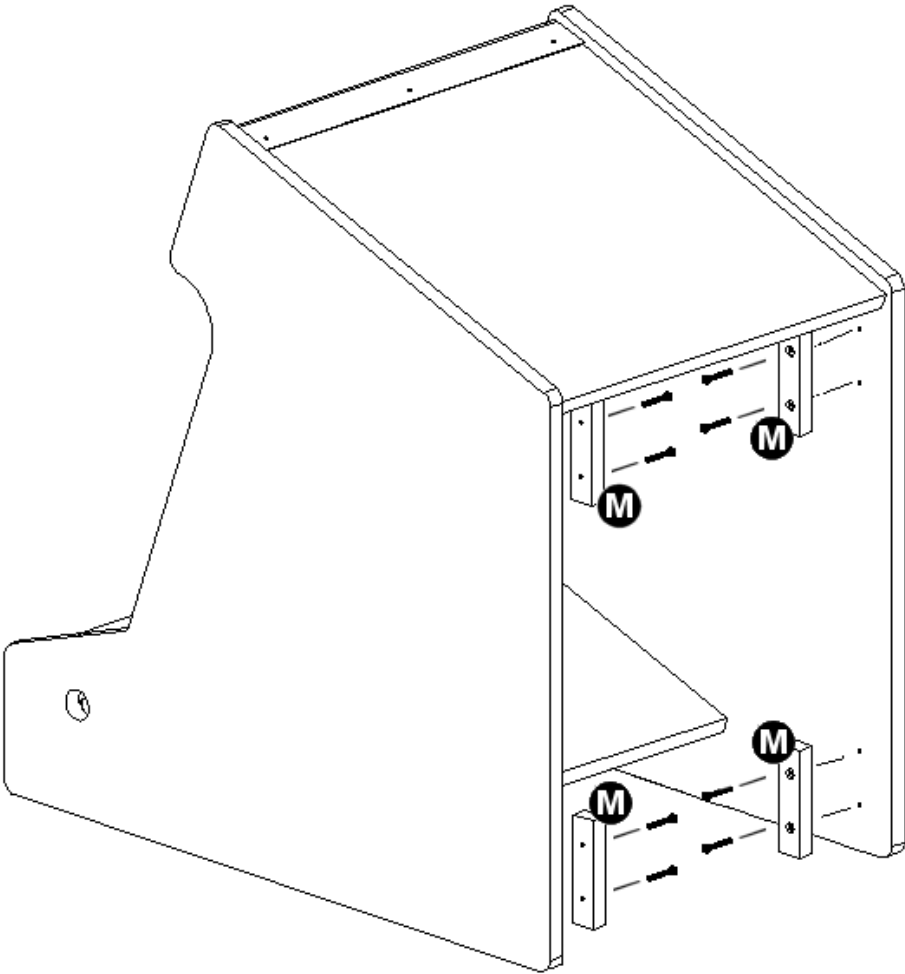
Note: Optional lighting fixture should be installed prior to installing the marquee assembly.



STEP 8

ASSEMBLY INSTRUCTIONS:

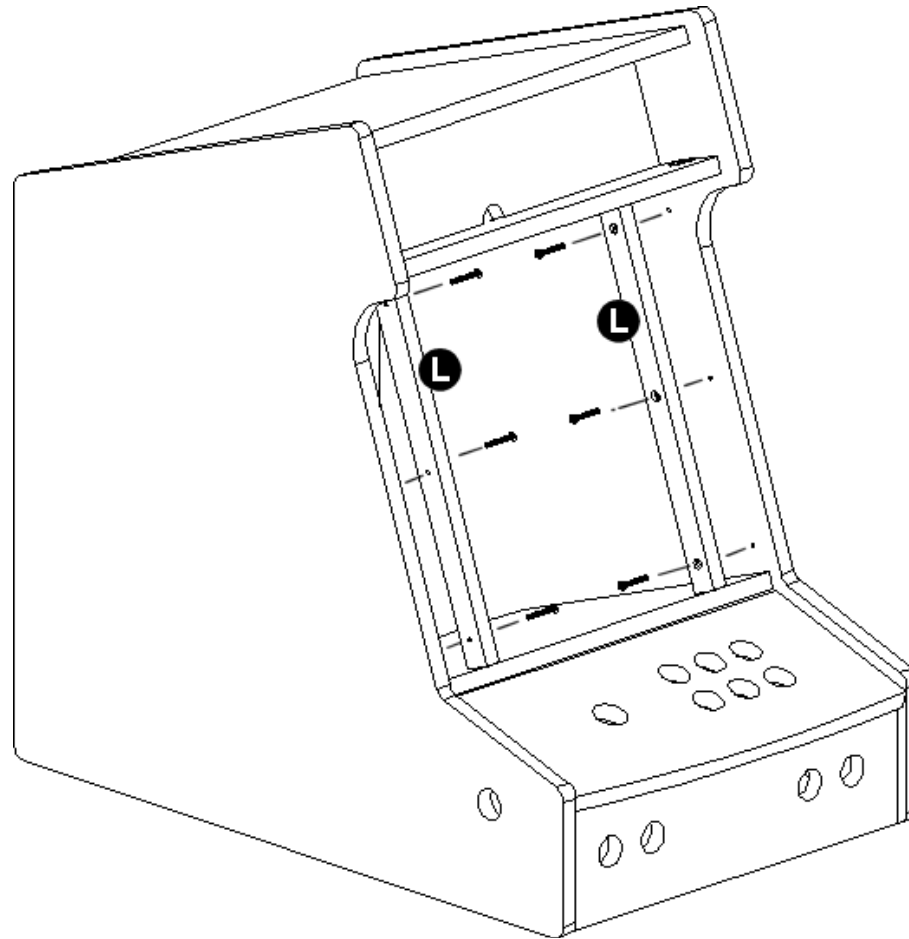
Using (2) 1" long wood screws (S1), attach 4 panel M's to panels A and B as show in the diagram below.



STEP 9

ASSEMBLY INSTRUCTIONS:

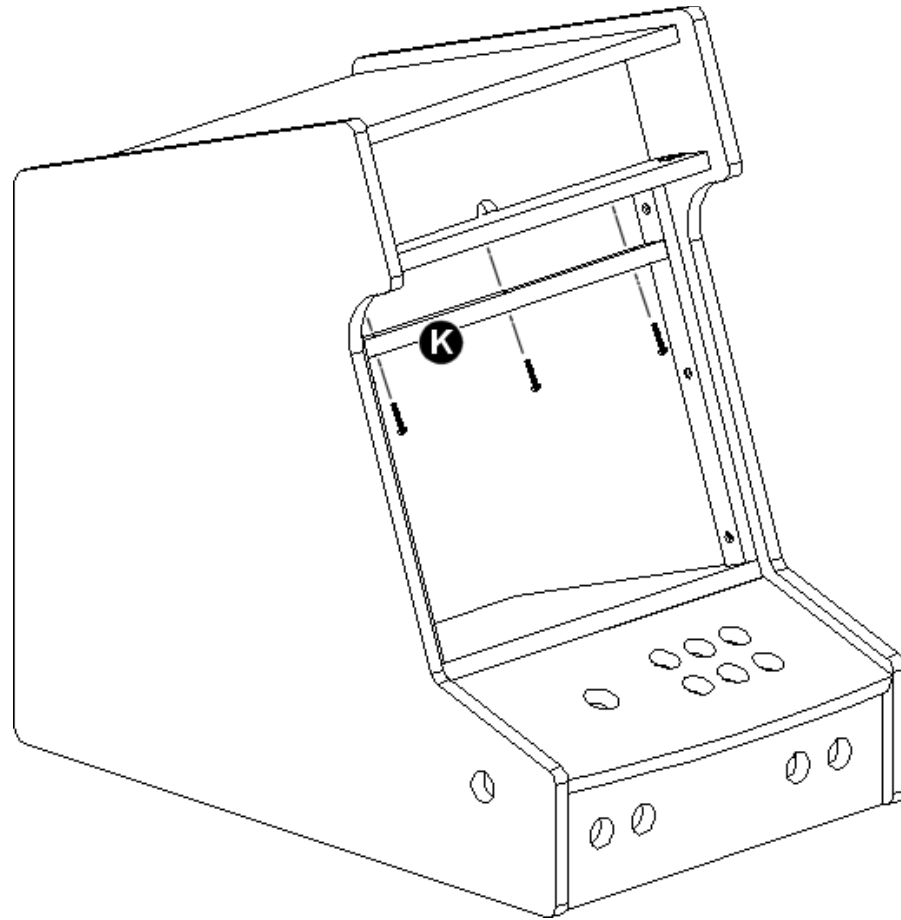
Using (3) 1" long wood screws (S1), attach both panel L's to panels A and B as show in the diagram below.



STEP 10

ASSEMBLY INSTRUCTIONS:

Using (3) 1" long wood screws (S1), attach panel K to panel H show in the diagram below.

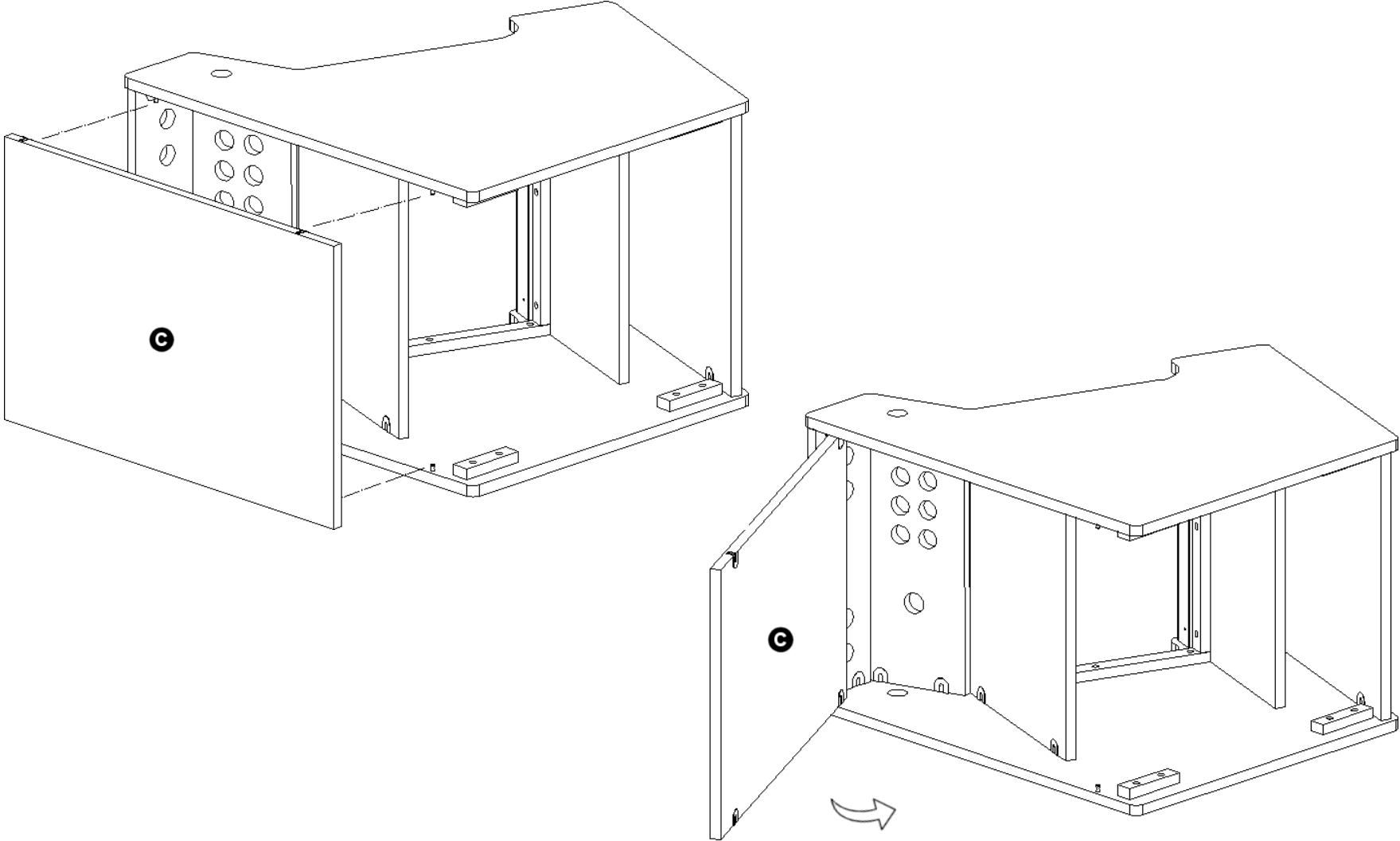


STEP 11

ASSEMBLY INSTRUCTIONS:

Attach panel C to panels A and B as show below. Pivot panel C until the front two cams are easily accessible with a screwdriver. Fully tighten the front to cams. Pivot panel C back to the original position and tighten the remaining cams.

Note: Install all controls prior to attaching panel C. Please follow the control manufacturer's installation instructions when installing and wiring controls.



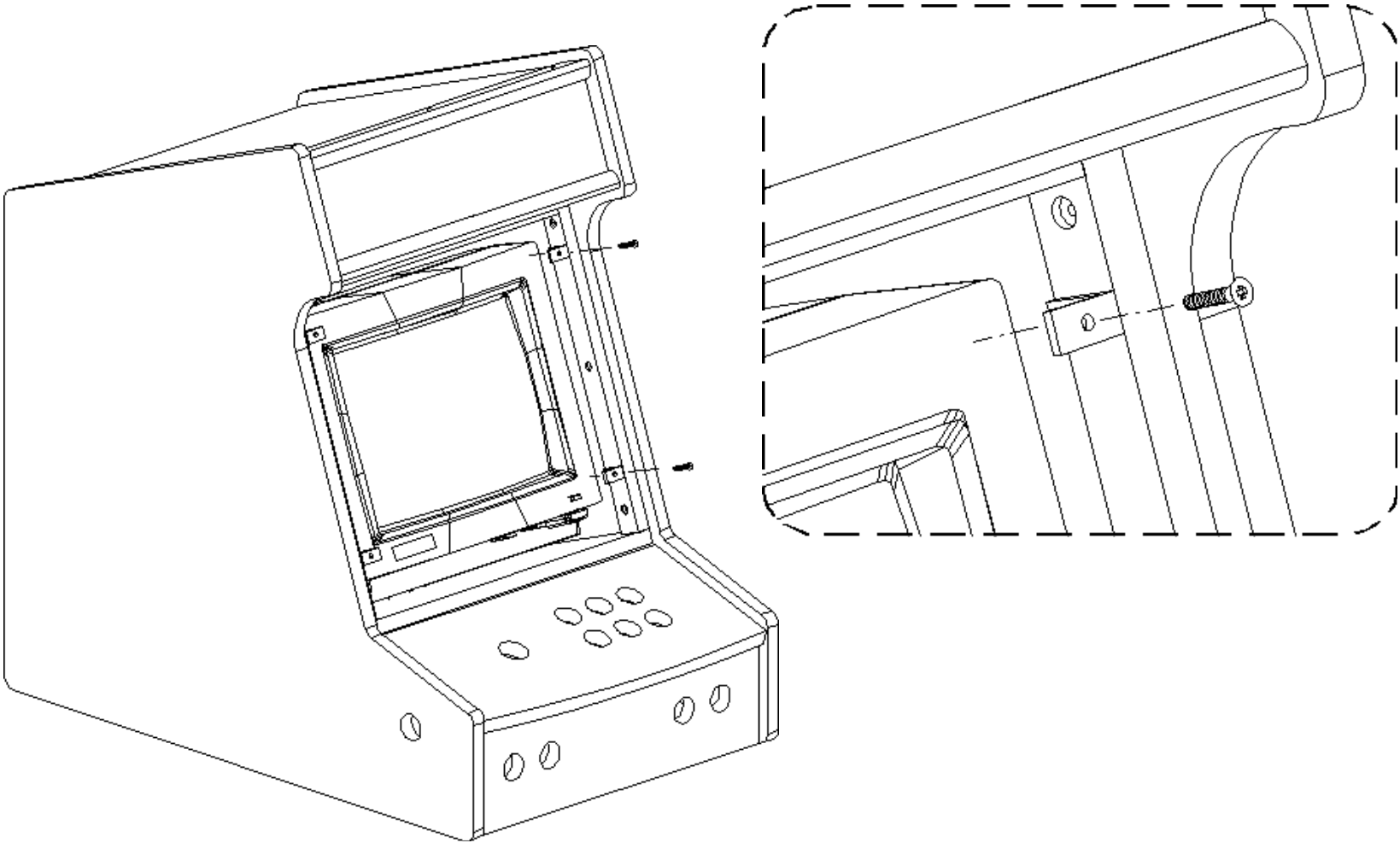
STEP 12

MONITOR INSTALLTION:

IMPORTANT NOTE: The method described in this step is a suggested installation method. Due to the variations in monitor designs, this method may not be used on all monitors.

Position the monitor so that the outer most edges are flush with the monitor bezel frame panels L and K. Secure the monitor in this position using 4 I-brackets and 1" long wood screws.

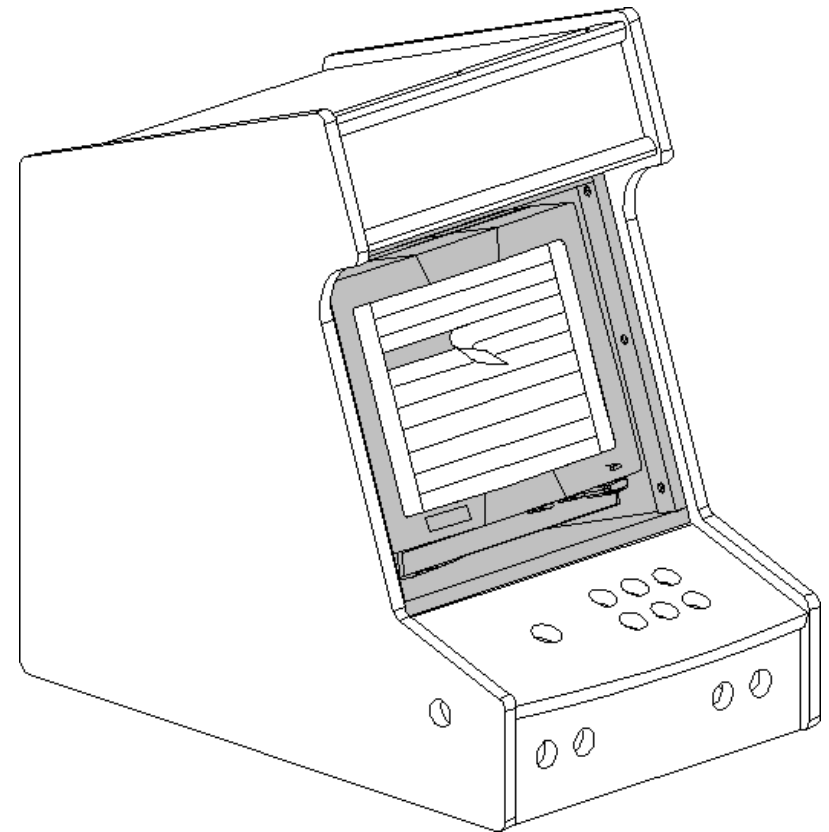
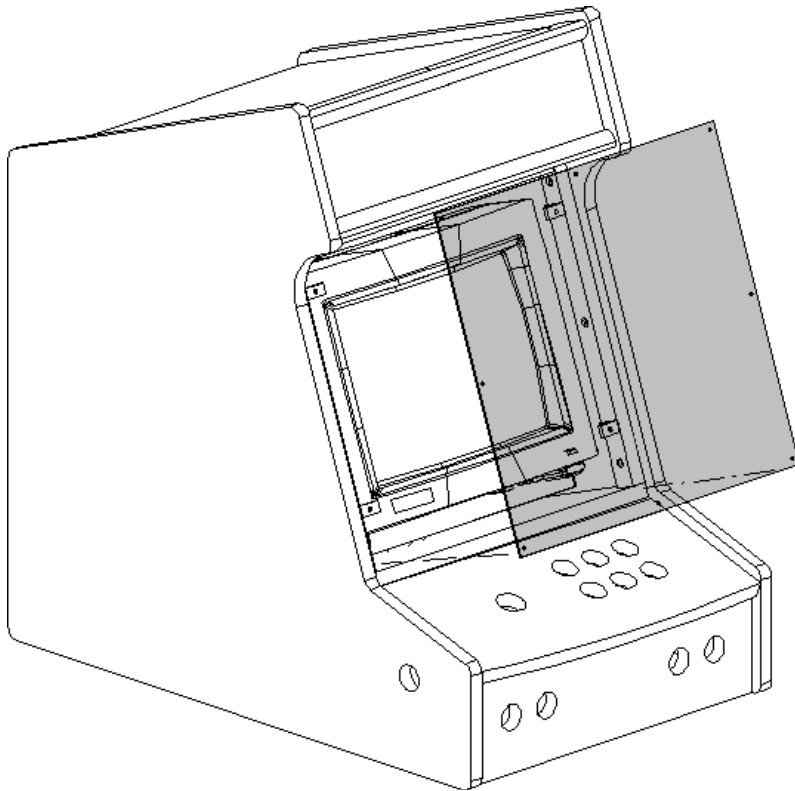
CAUTION: Installing wood screws through the monitor casing may crack or damage the monitor screen. Use this installation method **AT YOUR OWN RISK !!!**



STEP 13

ASSEMBLY INSTRUCTIONS:

Remove the protective backing on both sides of the bezel Plexiglas. Temporarily install the monitor bezel Plexiglas on the assembled cabinet. Using masking tape, mask off the screen area of the monitor as shown below. Remove the bezel and paint the side with the masking tape with flat black spray paint or flat black latex paint. Apply 2-3 coats of paint ensuring complete coverage. Allow the paint to dry and carefully remove the masking tape.

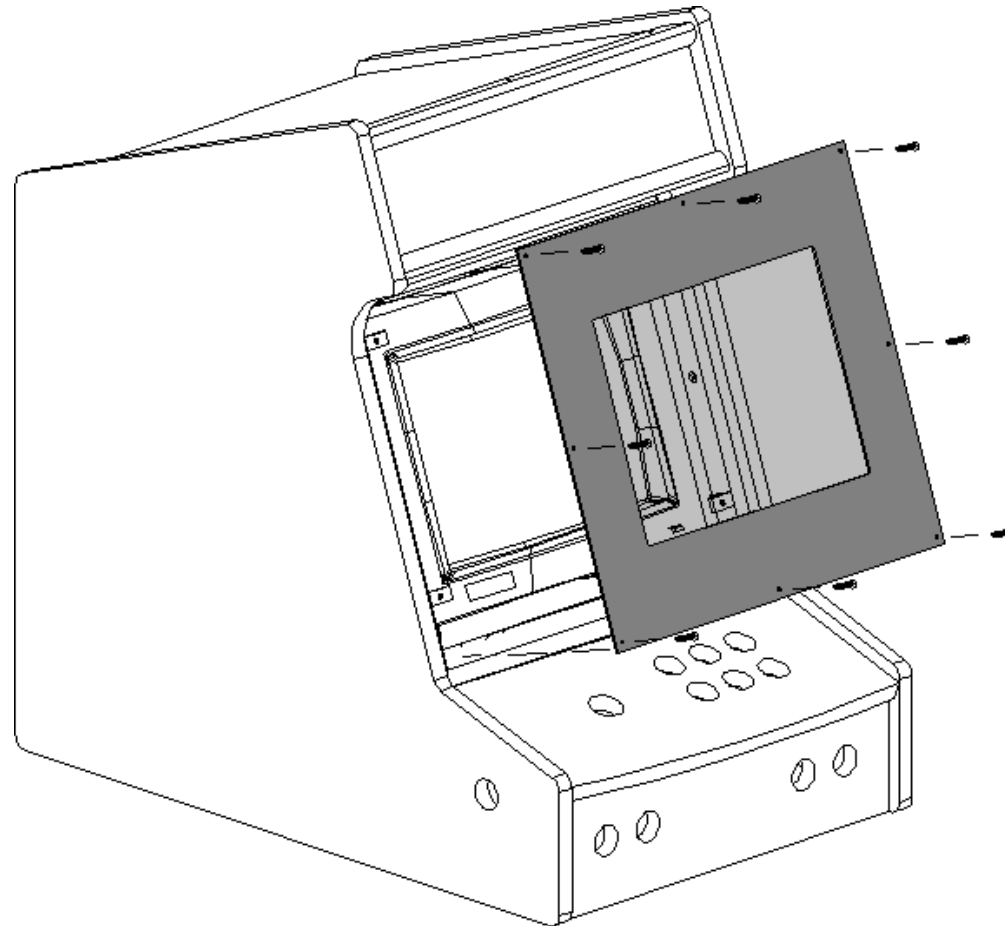


STEP 14

ASSEMBLY INSTRUCTIONS:

Fasten the finished bezel to the cabinet using 8 black pan head screws (S2).

Note: Be sure the non-paint side of the bezel is facing outward.



STEP 15

ASSEMBLY INSTRUCTIONS:

Attach panel G to the cabinet assembly using (4) 1" long wood screws (S1) as shown below. Cover the 4 screw holes with the black hole caps (H1).

Note: Install all electrical components prior to attaching panel G. Placement and installation of the components must be determined based on the design/size of each the components.

