

LEGAL DISCLAIMER:

MameRoom Designs LLC ® will not be held liable for any incidental or consequential damages for breach of any expressed or implied warranty of the 4 player control panel, nor an incidental or consequential damages from the inability to use, or ability to use the cabinet. Under no circumstance shall MameRoom Designs LLC ®, liability exceed the purchase price of the product as sold by MameRoom Designs LLC ®. MameRoom Designs LLC ® reserves the right to refuse to honor this warranty if any of above exceptions caused the product design and/or structural integrity to fail.

COPYRIGHT:

The Ultimate Arcade and all logos are trademark of MameRoom Designs LLC ®. All rights reserved. All U.S. and International patent and trademark infringement/misuse will be prosecuted to the fullest extend of the law. This includes violations of infringements of design, manufacturing, concept or utility patents currently covered or pending patents to be issued. Any and all trademarks, representations, and copyrights are trademark of their respective owners.

WARRANTY:

MameRoom Designs LLC ® warrants the 4 player control panel against defect in workmanship and materials as herein:

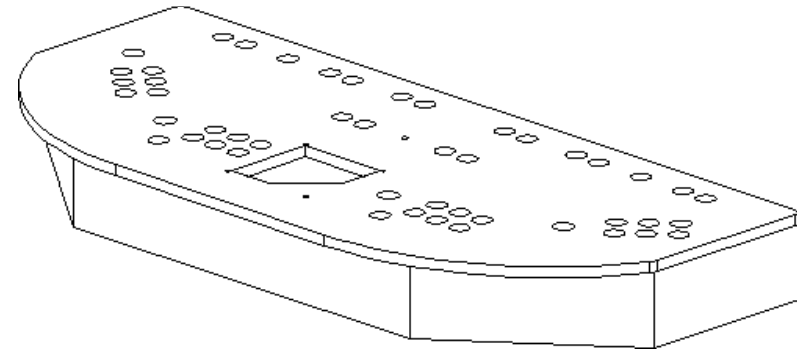
For a period of 30 days from the original date of purchase, if MameRoom Designs LLC ® determines that the product is defective subject to the limitations of this warranty, it will be replaced at no charge for labor and/or materials. MameRoom Designs LLC ® warrants any replacement parts against defects in materials or workmanship for the remainder of the original warranty period.

WARRANTY SERVICE
sales@mameroom.com

ASSEMBLY INSTRUCTIONS

4 PLAYER CONTROL PANEL



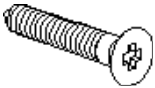
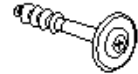
- Model #: 4PLAYERCPKIT



For technical support or general assembly questions, please contact:
sales@mameroom.com

HARDWARE INCLUDED

(Contact sales@mameroom.com for replacement hardware)

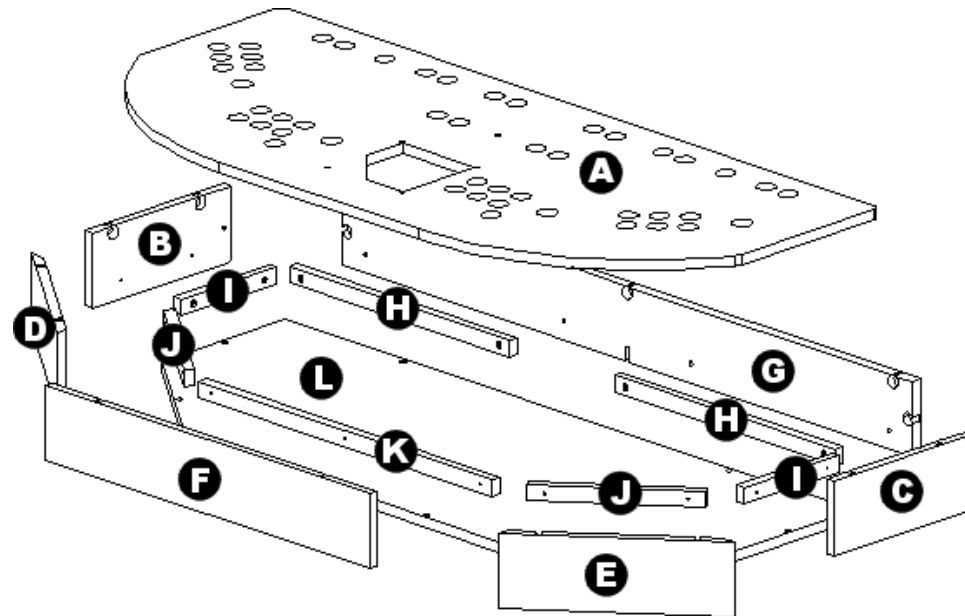
C1		15	Drop-on assembly cam
P1		15	5mm Eurothread pin
S1		15	#8 x 1" long flat head wood screw
S2		8	Washer Head screw

WHAT YOU WILL NEED

(Do not use power equipment)



PARTS INCLUDED (Letters are placed on each panel for easy identification)



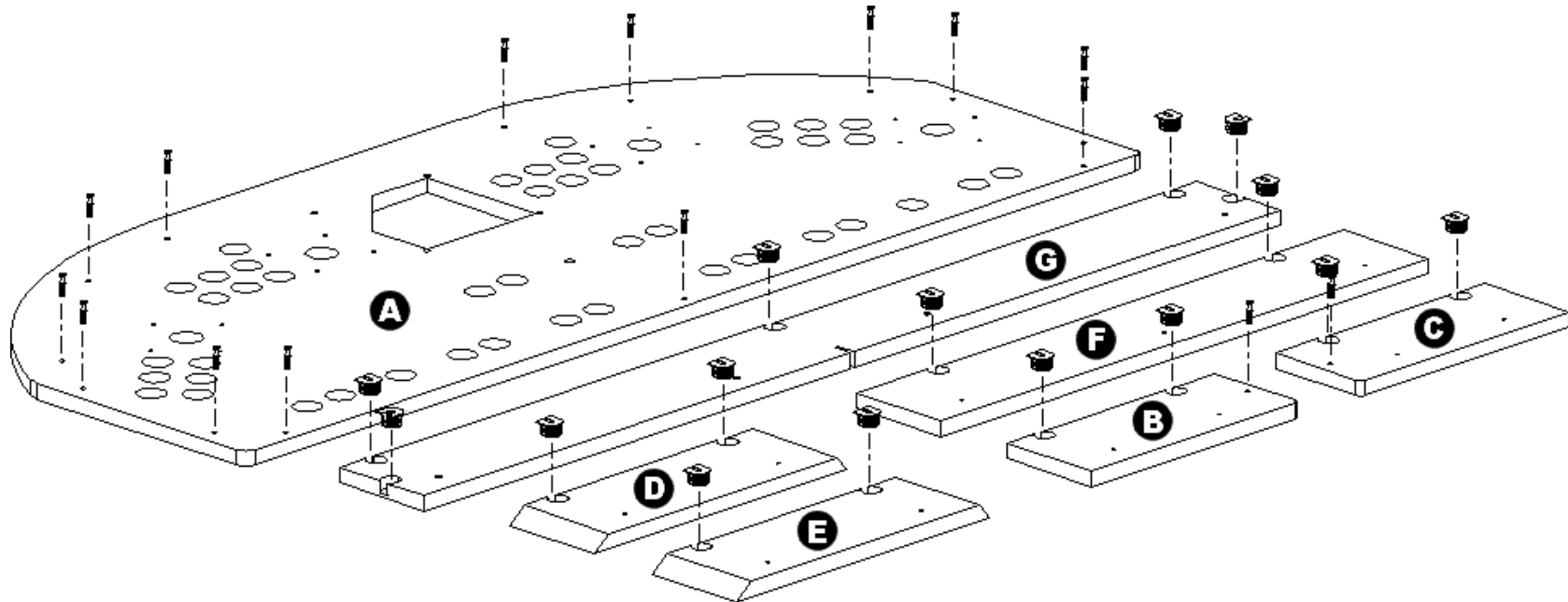
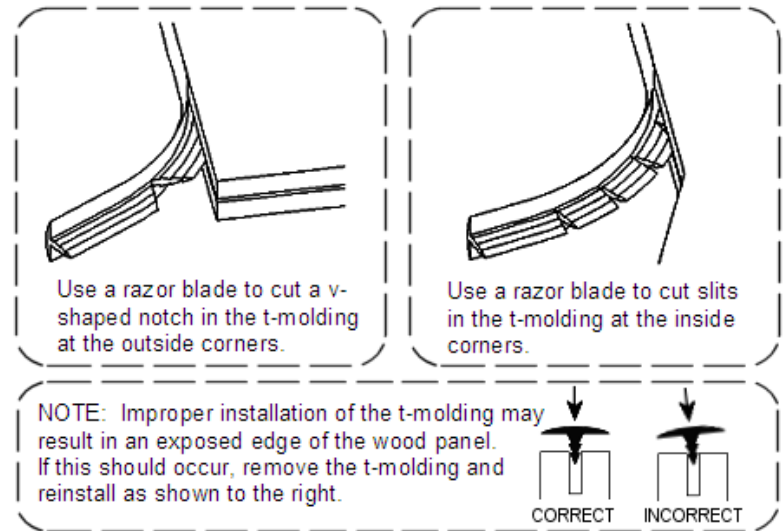
STEP 1

ASSEMBLY INSTRUCTIONS:

Install t-molding on panel A in the pre-cut slots using the methods illustrated to the right. Use a rubber mallet (or hammer) to gently tap the t-molding into the pre-cut grooves in the panel.

- Insert 13 threaded pins (Part P1) into panel A.
- Insert 1 threaded pin (Part P1) into panel B.
- Insert 1 threaded pin (Part P1) into panel C.
- Insert 2 cams (Part C1) into Panel B
- Insert 2 cams (Part C1) into Panel C
- Insert 2 cams (Part C1) into Panel D
- Insert 2 cams (Part C1) into Panel E
- Insert 2 cams (Part C1) into Panel F
- Insert 5 cams (Part C1) into Panel G

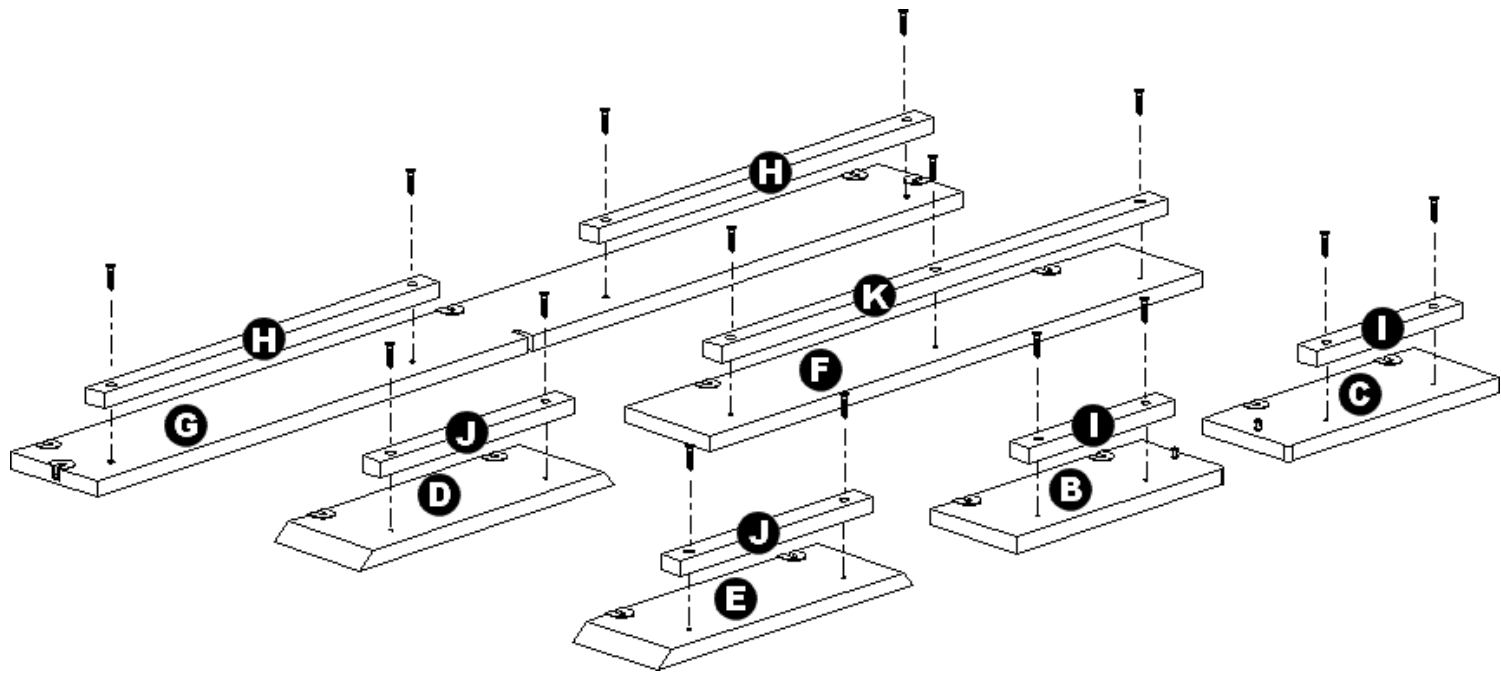
Position the flat edge of the cam so it will be flush with the edge of the panel.



STEP 2

ASSEMBLY INSTRUCTIONS:

Using 1" long wood screws (Part S1) attach the inner control panel batons (Parts H through K) to the side panels as shown below:

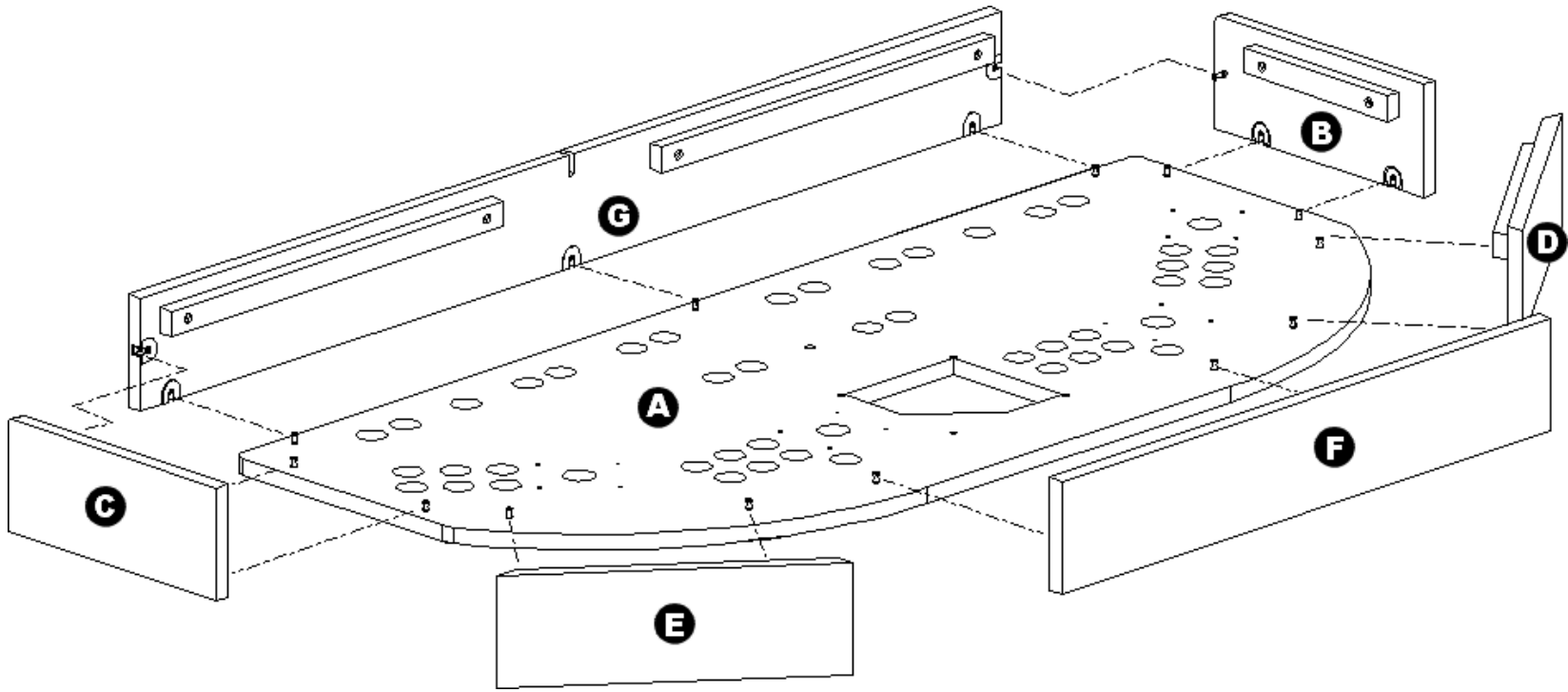


STEP 3

ASSEMBLY INSTRUCTIONS:

Attach the side panels B through F to the top panel A as shown in the diagram below. Using a screwdriver, fully tighten each engaging cam.

Attach panel G after attaching panels B through F. Fully tighten each engaging cam.



STEP 4

ASSEMBLY INSTRUCTIONS:

Attach the bottom panel (Panel L) to the control panel assembly using 8 Washer head screws (Part S2) as show in the diagram below:

